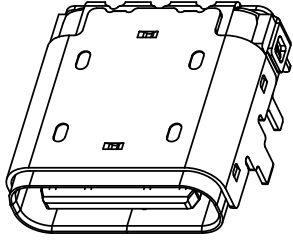
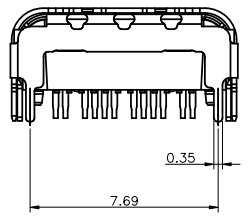
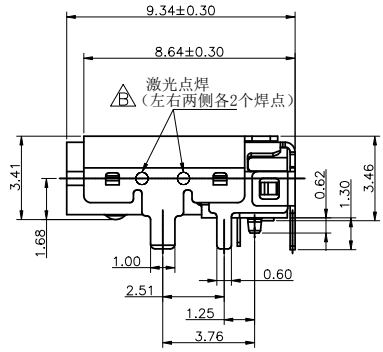
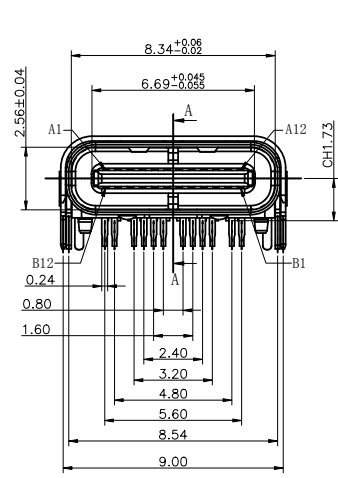
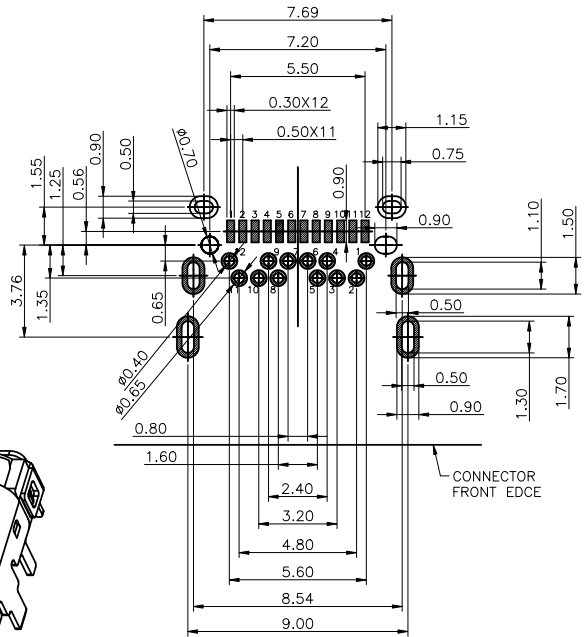


ITEM 項目	PARTS NAME 零件名稱	Q'TY 數量	MATERIAL 材質	FINISH/REMARK 處理/備註
1	Insermold housing	1	SYNTHETIC RESIN	Black
2	CONTACT	24	COPPER ALLOY	3u" Gold on contact area Gold flash on solder tails, base Ni:50u"
3	SHELL	1	STAINLESS	
4	TOP - SHELL	1	STAINLESS	Ni:30u" Min
5	Mid-plate	1	STAINLESS	-
6	EMI-Spring	1	STAINLESS	Ni:30u" Min

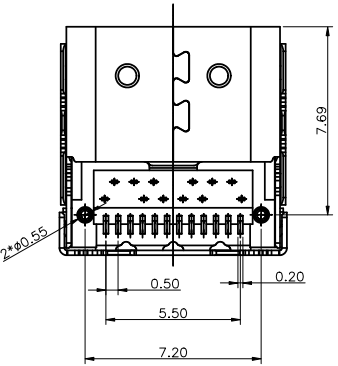
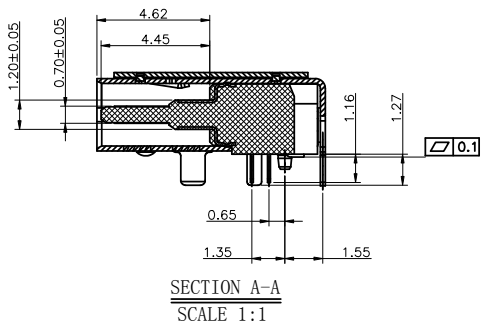


RECOMMEND P.C.B LAYOUT(T=1.00mm)  
TOLERANCE UNSPECIFIED ±0.05mm

NOTE:  
1. MATERIAL: See drawing  
2. ELECTRICAL CHARACTERISTICS:  
2.1 CONTACT RESISTANCE: 40mΩ Max FOR INITIAL. 10mΩ CHANGE AFTER TEST. MEASURE AT 20mV, 100mA.  
2.2 CONTACT CURRENT RATING: 3A FOR COLLECTIVELY POWER SUPPLY PIN(PIN1,A4,A9,A12,B1,B4,B9,B12); 1.25A FOR VCONN PIN; 0.25A FOR OTHER SIGNAL PIN.  
2.3 DIELECTRIC WITHSTANDING VOLTAGE: 100V AC R.M.S.  
2.4 INSULATION RESISTANCE: 100MΩ Min  
2.5 OPERATING TEMPERATURE: -40°C ~ 85°C  
3. MECHANICAL CHARACTERISTICS:  
3.1 MATING FORCE: 5~20 N.  
3.2 UNMATED FORCE: 8~20N INITIAL TEST  
6~20N DURABILITY AFTER TEST  
3.3 DURABILITY: 10,000 CYCLES

USB TYPE-C FULL-FEATURED RECEPTACLE  
INTERFACE PIN ASSIGNMENTS

PIN	Signal Name	Description	PIN	Signal Name	Description
A1	GND	Ground return	B12	GND	Ground return
A2	SSTxp1	Positive half of first SuperSpeed TX differential pair	B11	SSRxp1	Negative half of first SuperSpeed RX differential pair
A3	SSTxn1	Negative half of first SuperSpeed TX differential pair	B10	SSRxn1	Positive half of first SuperSpeed RX differential pair
A4	Vbus	Bus Power	B9	Vbus	Bus Power
A5	CC1	Configuration Channel	B8	SBU2	Sideband Use (SBU)
A6	Dp1	Positive half of the USB 2.0 differential pair--Position 1	B7	Dn2	Negative half of the USB 2.0 differential pair--Position 2
A7	Dn1	Negative half of the USB 2.0 differential pair--Position 1	B6	Dp2	Positive half of the USB 2.0 differential pair--Position 2
A8	SBU1	Sideband Use (SBU)	B5	CC2	Configuration Channel
A9	Vbus	Bus Power	B4	Vbus	Bus Power
A10	SSRx2	Negative half of second SuperSpeed RX differential pair	B3	SSTx2	Positive half of second SuperSpeed TX differential pair
A11	SSRx2	Positive half of second SuperSpeed RX differential pair	B2	SSTx2	Negative half of second SuperSpeed TX differential pair
A12	GND	Ground return	B1	GND	Ground return

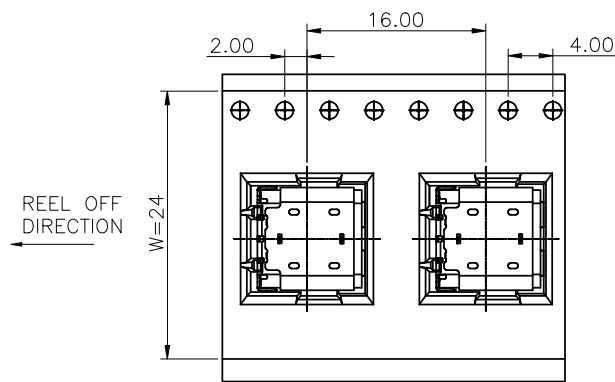
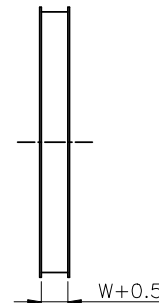
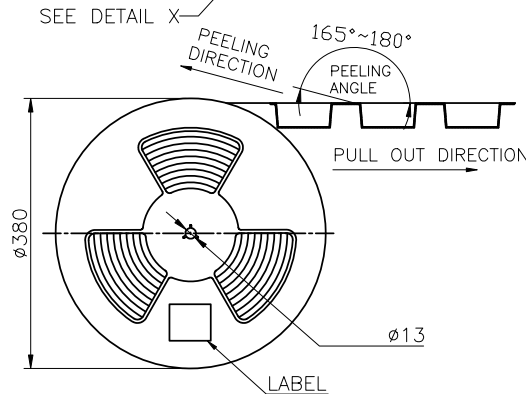
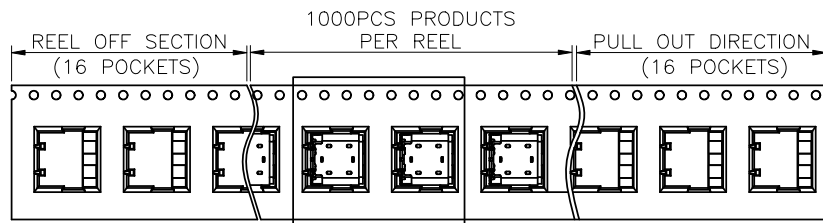


PART NO. D 1 3 -0824 - 24 032  
SERIES D=I/O Connector  
TYPE 1=0.5mm pitch  
CONTACT TYPE 3=SMT type  
MODEL NO. TYPE NO. 032=Type 32  
CONTACT NUMBER 24=24position

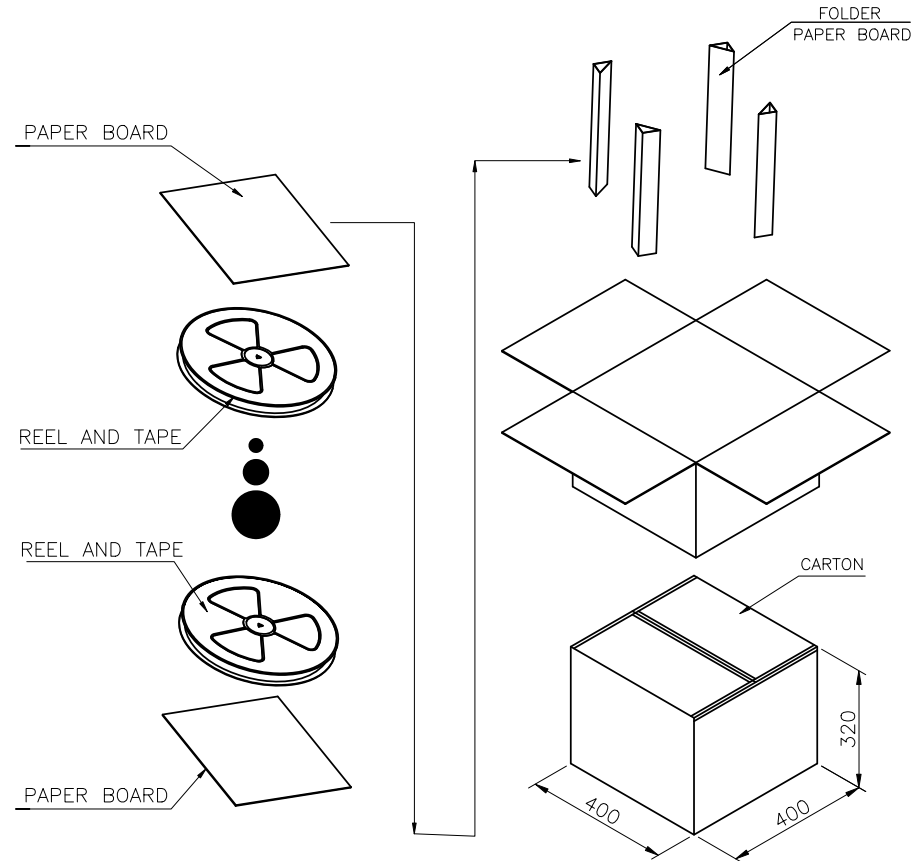


華大電子股份有限公司  
WALTA ELECTRONIC CO.,LTD.  
TEL:886-2-26577778;FAX:886-2-26575659

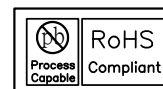
REV. 版本	ECN NO. 設變號碼	MARK 記號	REVISIONS 設變內容	SIGN 修改	DATE 日期	UNLESS OTHERWISE SPECIFIED TOLERANCE 尺寸公差	CHECKED 審核	DESIGNED 設計	SCALE 比例	TITLE 產品名稱	PART NO. 產品料號	REV. 版本
B	E2410-009	X 0	資料更新。	zhijun	2024/10/28	.X ±0.50 .X ±0.30 .XX ±0.20 .XXX ±0.05 ANG. ±3'00'		CR	1/1	TYPE-C 24PIN 前插后貼帶上蓋	D13-0824-24032	1/2
A	E2103-003	X 0	-	CR	2021/3/10		APPROVED 承認	CR				
1									A4	CUT-0824-040		B



DETAIL X  
SCALE 2:1



	REEL/TRAY	CARTON
CONNECTOR (PCS)	1000	10000



**WALTA** 華大電子股份有限公司  
WALTA ELECTRONIC CO.,LTD.  
TEL:886-2-26577778;FAX:886-2-26575659

REV. 版本	ECN NO. 設變號碼	MARK 記號	REVISIONS 設變內容	SIGN 修改	DATE 日期
B	E2410-009	△ X 0	資料更新。	zhijun	2024/10/28
A	E2103-003	△ X 0	-	CR	2021/3/10

UNLESS OTHERWISE SPECIFIED TOLERANCE 尺寸公差
.X ±0.50
.XX ±0.20
.XXX ±0.05
ANG. ±3'00"

CHECKED 審核	DESIGNED 設計 CR 2021/3/10
APPROVED 承認	DRAWN 製圖 CR 2021/3/10

TITLE 產品名稱 TYPE-C 24PIN 前插后貼帶上蓋	REV. 版本 1/2
PART NO. 產品料號 D13-0824-24032	DOC. NO. 文件編號 CUT-0824-040
UNIT 單位 MM	SCALE 比例 1/1
SIZE 尺寸 A4	