

NOTES:

- MATERIAL:
HOUSING: LCP, UL94V-0, Black
CONTACT: PHOSPHOR BRONZE (C5210)
LATCH: STAINLESS (SUS301)
- FINISH:
CONTACT:
CONTACT AREA: G/F GOLD PLATED
SOLDER AREA: G/F GOLD PLATED
UNDER PLATING: NICKEL PLATED.
LATCH:
SOLDER AREA: G/F GOLD PLATED
UNDER PLATING: NICKEL PLATED.
- SPECIFICATION:
CURRENT RATING: 0.5A / (1PIN)
VOLTAGE RATING: 25V AC
DIELECTRIC WITHSTANDING: 125V AC FOR 1 MINUTE
CONTACT RESISTANCE: 60mΩ Max.
INSULATION RESISTANCE: 500MΩ Min
OPERATING TEMPERATURE: -40°C to +85°C
DURABILITY: 25 CYCLES MIN.

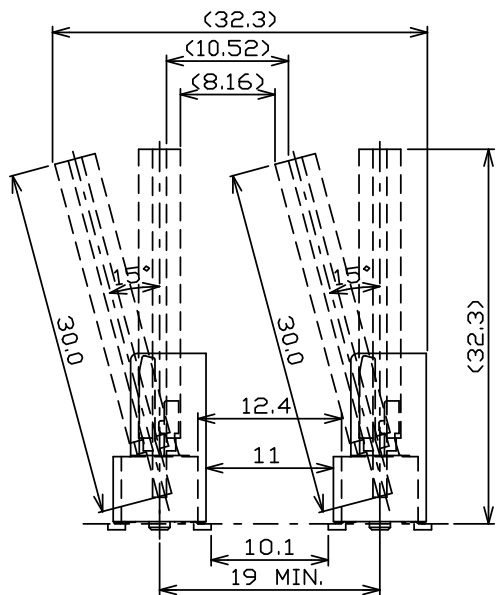
MUST BE MEASURED FLOATING AMOUNT OF CONTACT TAILS FROM DATAM SURFACE IS 0.1mm MAX.



WALTA 華大電子股份有限公司
WALTA ELECTRONIC CO.,LTD.
TEL:886-2-26577778;FAX:886-2-26575659

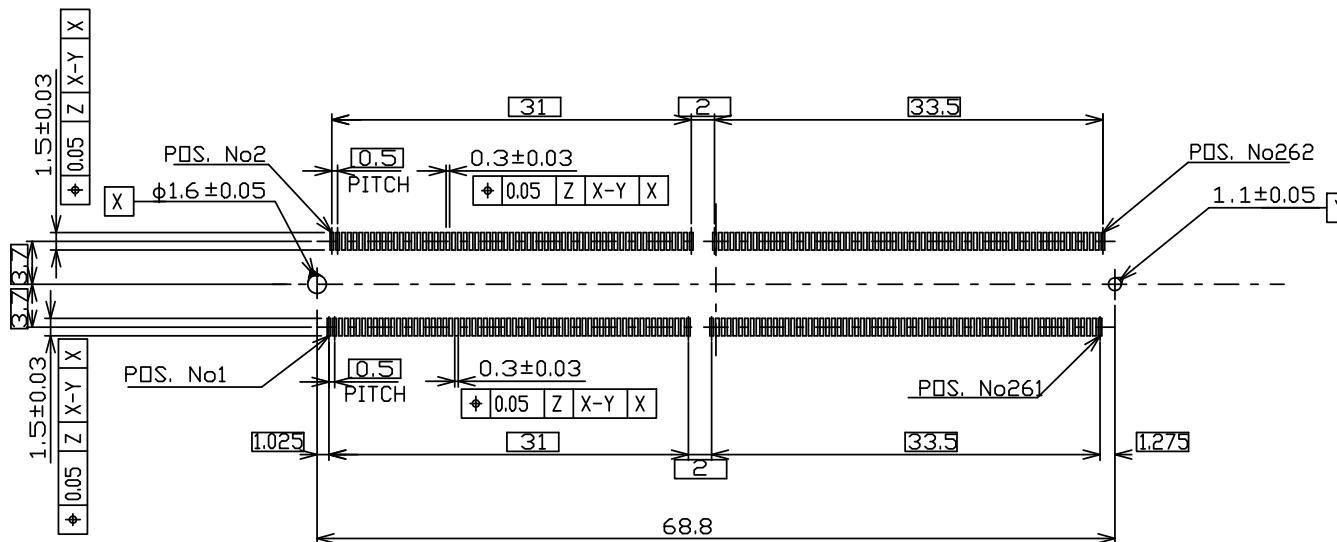
| | | | | |
|--|-----------------|----------------|-------------------|--------------------------------------|
| UNLESS OTHERWISE SPECIFIED TOLERANCE 尺寸公差 | | CHECKED 審核 | DESIGNED 設計 | TITLE 產品名稱 |
| X. ±0.50 | | | London | SO DIMM DDR5 Vertical 262 Pin Type B |
| .X ±0.30 | | APPROVED 承認 | 2021/2/25 | UNIT 單位 MM |
| .XX ±0.20 | | | DRAWN 製圖 | SCALE 比例 1/1 |
| ANG. ±5°00' | | | London | PART NO. 產品料號 M30-C088-00007 |
| REV. 版本 | ECN NO. 設變號碼 | MARK 記號 | REVISIONS 設變內容 | SIGN 修改 |
| | | | DATE 日期 | DATE 日期 |
| 1 | 2 | 3 | 4 | 5 |
| 6 | 7 | 8 | 9 | 10 |

SHEET 1/4
REV. 版本 A



(DDR5-05B000 + DDR5-05B000)

RECOMMENDED SOCKET MOUNTING LAYOUT



RECOMMENDED MOUNTING
P.C. BOARD PATTERN LAYOUT DIM.

NOTES.

- 1 TOLERANCE ON DIMENSIONS IS ± 0.15 UNLESS OTHERWISE SPECIFIED.
- 2 A pcb side be DETAM "Z".

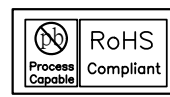
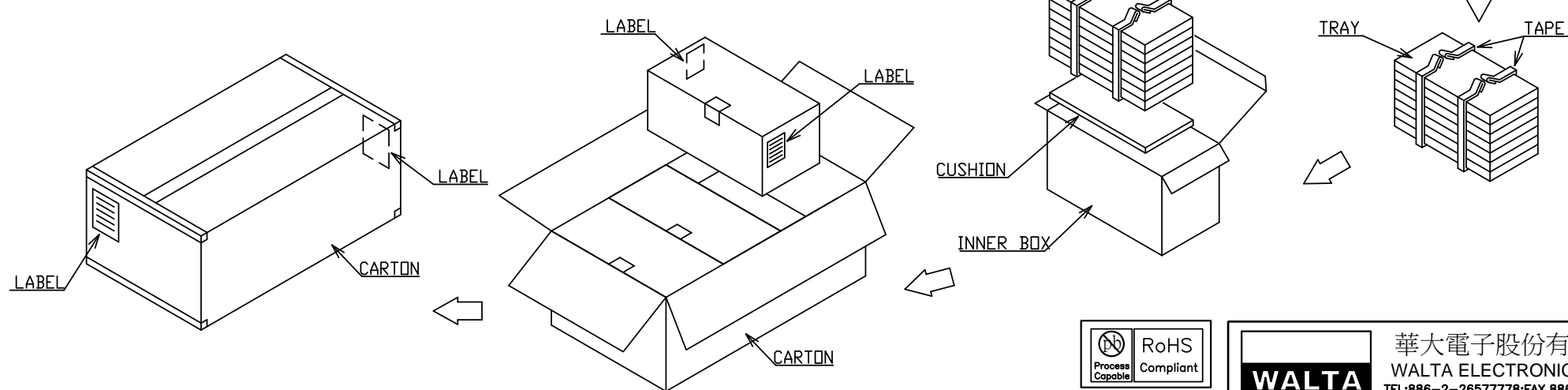
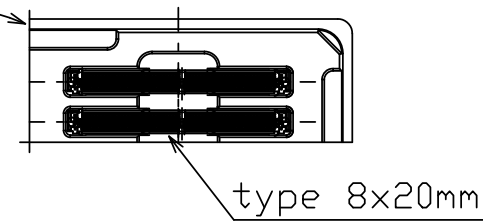
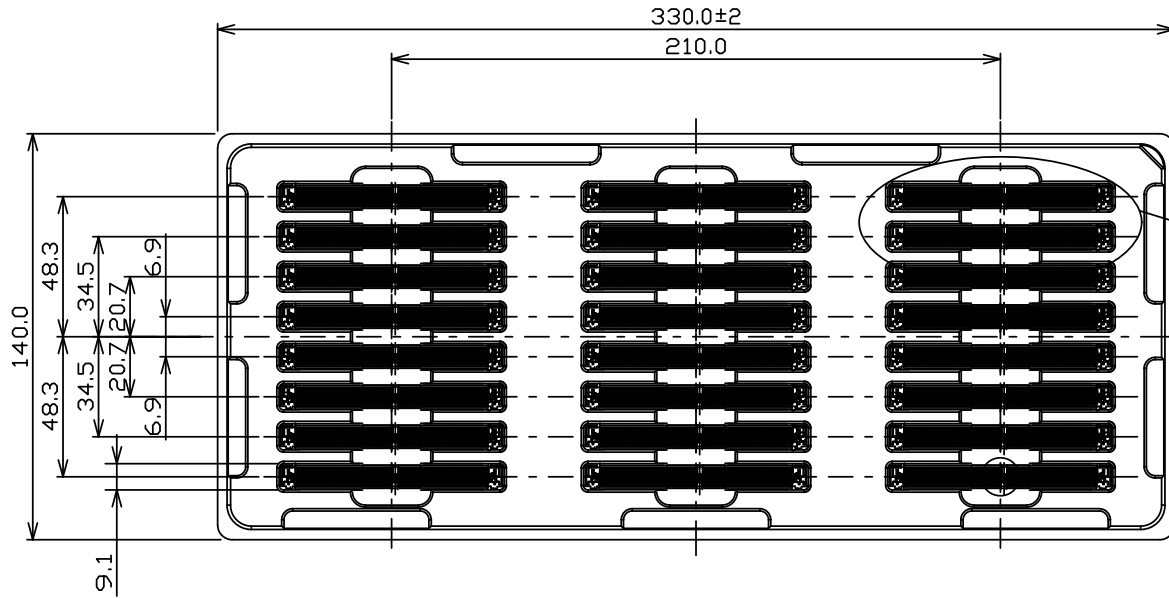


WALTA 華大電子股份有限公司
WALTA ELECTRONIC CO.,LTD.
TEL:886-2-26577778;FAX:886-2-26575659

| | | | | |
|--|-----------------|----------------|-------------------|--------------------------------------|
| UNLESS OTHERWISE SPECIFIED TOLERANCE 尺寸公差 | | CHECKED 審核 | DESIGNED 設計 | TITLE 產品名稱 |
| X. ± 0.50 | | London | London | SO DIMM DDR5 Vertical 262 Pin Type B |
| .X ± 0.30 | | 2021/2/25 | | |
| .XX ± 0.20 | | APPROVED 承認 | DRAWN 製圖 | PART NO. 產品料號 |
| ANG. $\pm 5^{\circ}0'$ | | London | London | M30-C088-00007 |
| REV. 版本 | ECN NO. 設變號碼 | MARK 記號 | REVISIONS 設變內容 | SIGN 修改 |
| A | EXXXX-00X | △ X 0 | - | DATE 日期 |
| | | | | 2021/2/25 |
| | | | | SIZE 尺寸 |
| | | | | A4 |
| | | | | SCALE 比例 |
| | | | | 1/1 |
| | | | | DOC. NO. 文件編號 |
| | | | | CUT-C088-00X |
| | | | | SHEET 頁碼 |
| | | | | 2/4 |
| | | | | REV. 版本 |
| | | | | A |

NOTES:

1. PACKING STYLE: 24 PCS/Tray
144 PCS/INNER CARTON
432 PCS/OUTER CARTON
2. MATERIAL: Tray: PET
3. G/W: 4.1 Kg , N/W: 2.1 Kg



WALTA 華大電子股份有限公司
WALTA ELECTRONIC CO.,LTD.
TEL:886-2-26577778;FAX:886-2-26575659

| | | | | | | | | | | | | | | | |
|------------|--|-----------------|--|------------|--|--|--|----------------|--|----------------|--|---|--|-------------|--|
| | | | | | | UNLESS OTHERWISE SPECIFIED TOLERANCE 尺寸公差 | | CHECKED 審核 | | DESIGNED 設計 | | TITLE 產品名稱 | | | |
| | | | | | | X. ±0.50 | | | | London | | SO DIMM DDR5 Vertical 262 Pin Type B Package | | | |
| | | | | | | .X ±0.30 | | APPROVED 承認 | | 2021/2/25 | | UNIT 單位 | | | |
| | | | | | | .XX ±0.20 | | | | London | | SCALE 比例 | | | |
| | | | | | | ANG. ±5°00' | | | | 2021/2/25 | | 1/1 | | | |
| REV. 版本 | | ECN NO. 設變號碼 | | MARK 記號 | | REVISIONS 設變內容 | | SIGN 修改 | | DATE 日期 | | PART NO. 產品料號 | | SHEET 頁碼 | |
| 1 | | 2 | | 3 | | 4 | | 5 | | 6 | | 7 | | 8 | |
| A | | EXXXX-00X | | △ X 0 | | | | London | | 2021/2/25 | | M30-C088-00007 | | 4/4 | |
| | | | | | | | | | | | | DOC. NO. 文件編號 | | REV. 版本 | |
| | | | | | | | | | | | | CUT-C088-00X | | A | |
| | | | | | | | | | | | | 9 | | 10 | |