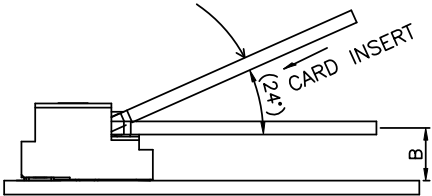
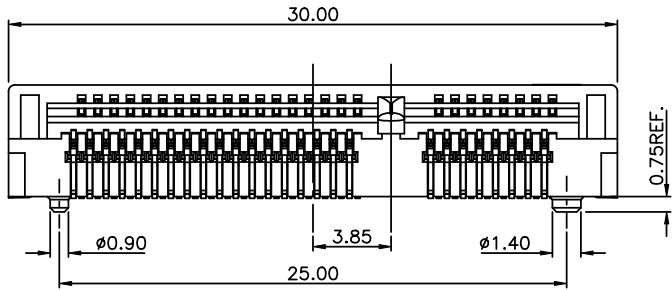
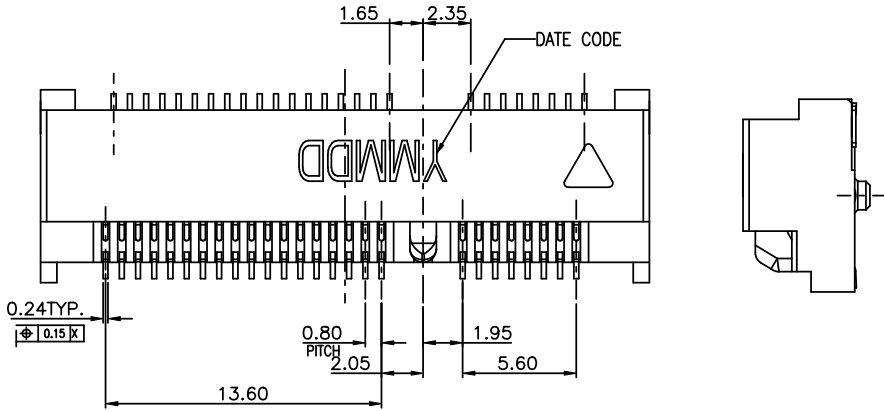
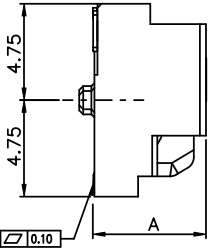


LEAD FREE HALOGEN FREE

P/N	A ±0.25	B ±0.25
MPCIE-02400(4.0H)	4.0	2.2
MPCIE-02520(5.2H)	5.2	3.4
MPCIE-02560(5.6H)	5.6	3.8
MPCIE-02800(8.0H)	8.0	6.2
MPCIE-02920(9.2H)	9.2	7.4



NOTES:

- MATERIAL:
 - HOUSING: LCP, UL94V-0, Black
 - CONTACT: PHOSPHOR BRONZE(C5191R-H)
 - HOLDDOWN: BRASS (C2680R-H)
- FINISH:
 - CONTACT:
 - CONTACT AREA: G/F GOLD PLATED
 - SOLDER AREA: MATTE TIN PLATED
 - UNDER PLATING: 50u" NICKEL PLATED.
 - HOLDDOWN:
 - SOLDER AREA: 100u" MATTE TIN PLATED
 - UNDER PLATING: 50u" NICKEL PLATED.
- SPECIFICATION:
 - CURRENT RATING: 0.5A / (1PIN)
 - VOLTAGE RATING: 50V AC
 - DIELECTRIC WITHSTANDING: 250V AC FOR 1 MINUTE
 - CONTACT RESISTANCE: 55mΩ Max.
 - INSULATION RESISTANCE: 500MΩ Min
 - OPERATING TEMPERATURE: -40°C to +90°C
 - DURABILITY: 50 CYCLES MIN.
 - INSERTION FORCE: 20N MAX.
 - WITHDRAWAL FORCE: 25N

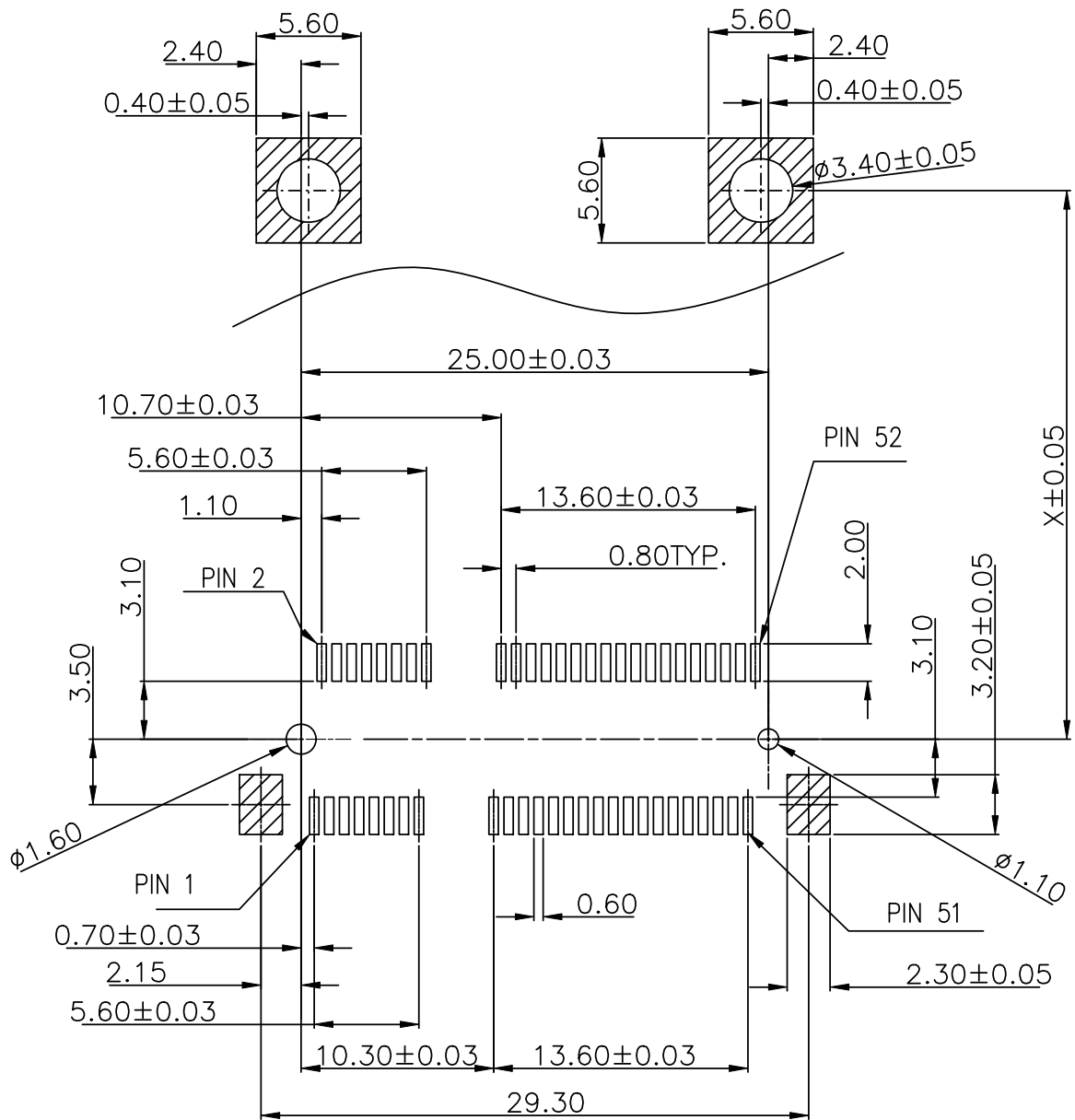


WALTA 華大電子股份有限公司
 WALTA ELECTRONIC CO.,LTD.
 TEL:886-2-26577778;FAX:886-2-26575659

REV. 版本	ECN NO. 設變號碼	MARK 記號	REVISIONS 設變內容	SIGN 修改	DATE 日期	UNLESS OTHERWISE SPECIFIED TOLERANCE 尺寸公差	CHECKED 審核	DESIGNED 設計	UNIT 單位	TITLE 產品名稱	PART NO. 產品料號	SHEET 頁碼
A	EXXXX-00X	△ X 0	-	Lonlon	2022/3/26	X. ±0.50 .X ±0.30 .XX ±0.20 ANG. ±5°00'	APPROVED 承認	Lonlon 2022/3/26	MM	Mini PCI Express Pitch:0.8mm Series	M30-C088-00002	1/4
1	2	3	4	5	6	7	8	9	10	DOC. NO. 文件編號	CUT-C088-00X	REV. 版本 A

LEAD FREE

HALOGEN FREE



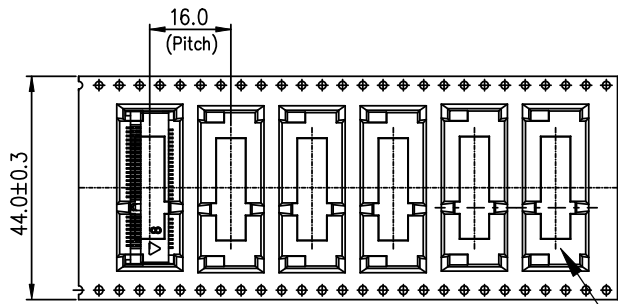
Recommended P.C.Board Layout.

Note:
 Standard Card: X=48.05mm
 (Card Length 50.95mm)
 Short Card: X=23.90mm
 (Card Length 26.65mm)



WALTA 華大電子股份有限公司
 WALTA ELECTRONIC CO.,LTD.
 TEL:886-2-26577778;FAX:886-2-26575659

				UNLESS OTHERWISE SPECIFIED TOLERANCE 尺寸公差		CHECKED 審核	DESIGNED 設計 London 2022/3/26	TITLE 產品名稱 Mini PCI Express Pitch:0.8mm Series Layout	
A	EXXXX-00X	△ X 0	-	London	2022/3/26	.X ±0.30 .XX ±0.20 ANG. ±5°00'	APPROVED 承認	DRAWN 製圖 London 2022/3/26	UNIT 單位 MM SCALE 比例 1/1 SIZE 尺寸 A4
REV. 版本	ECN NO. 設變號碼	MARK 記號	REVISIONS 設變內容	SIGN 修改	DATE 日期			PART NO. 產品料號 M30-C088-00002	SHEET 頁碼 2/4
								DOC. NO. 文件編號 CUT-C088-00X	REV. 版本 A



MINI PCI EXPRESS			
PART NO.	PITCH	16.0	20.0
1	MPCIE-02400(4.0H)	✓	
2	MPCIE-02520(5.2H)	✓	
3	MPCIE-02560(5.6H)	✓	
4	MPCIE-02800(8.0H)	✓	
5	MPCIE-02920(9.2H)		✓

NOTES:
1. PACKING STYLE

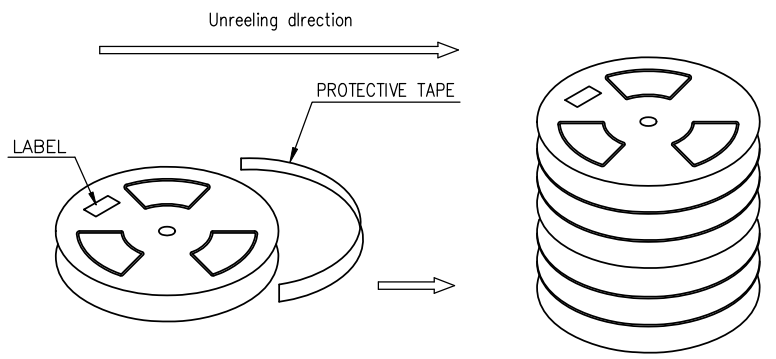
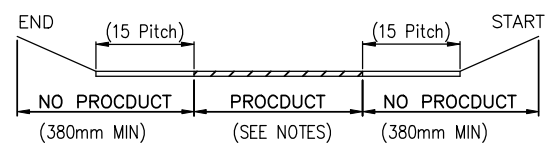
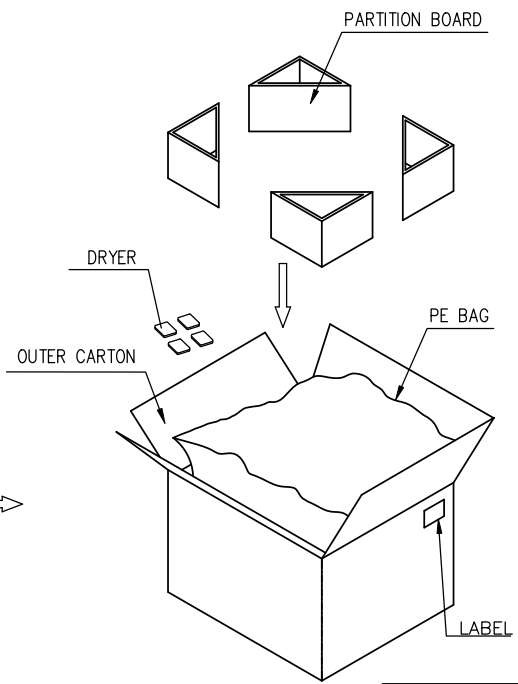
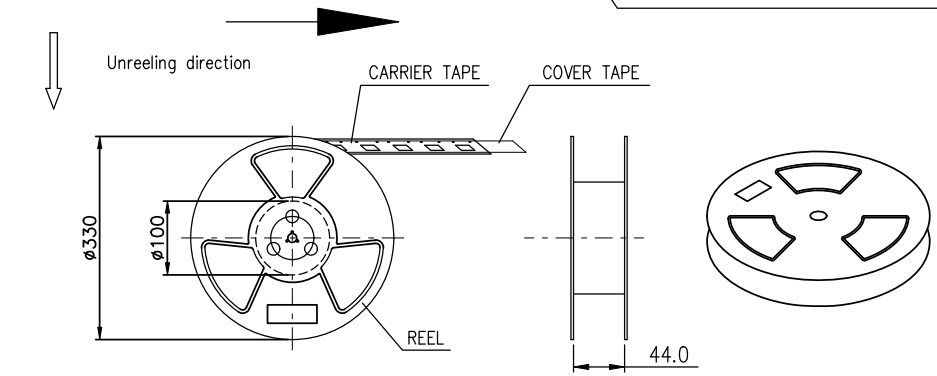
MPCIE-02400	4.0H	700 PCS/REEL 4,200 PCS/OUTER CARTON
MPCIE-02520	5.2H	600 PCS/REEL 3,600 PCS/OUTER CARTON
MPCIE-02560	5.6H	550 PCS/REEL 3,300 PCS/OUTER CARTON
MPCIE-02800	8.0H	400 PCS/REEL 2,400 PCS/OUTER CARTON
MPCIE-02920	9.2H	300 PCS/REEL 1,800 PCS/OUTER CARTON

2. MATERIAL: CARRIER TAPE: PS BLACK
COVER TAPE: PET FILM
REEL: PLASTIC

3. PEEL STRENGTH OF COVER TAPE: 20~80g(PEEL SPEED 300mm/MINUTE)

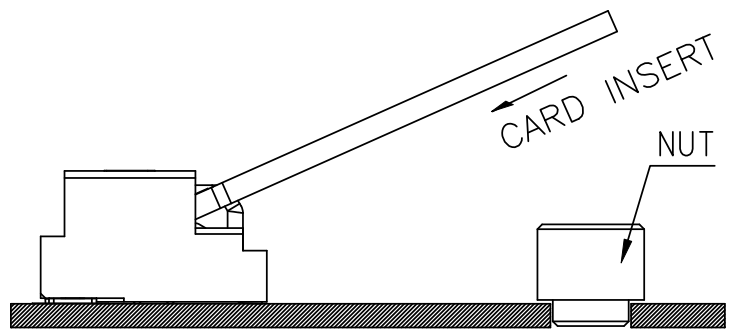
4. CARTON SIZE: 360x360x360mm

5. G/W: Kg , N/W: Kg

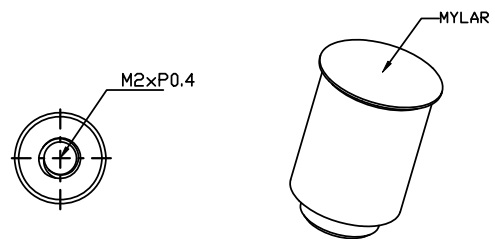


WALTA 華大電子股份有限公司
WALTA ELECTRONIC CO.,LTD.
TEL:886-2-26577778;FAX:886-2-26575659

REV. 版本	ECN NO. 設變號碼	MARK 記號	REVISIONS 設變內容	SIGN 修改	DATE 日期	UNLESS OTHERWISE SPECIFIED TOLERANCE 尺寸公差	CHECKED 審核	DESIGNED 設計	SCALE 比例	TITLE 產品名稱	PART NO. 產品料號	SHEET 頁碼
A	EXXXX-00X	△ X 0	-	Lonlon	2022/3/26	X. ±0.50 .X ±0.30 .XX ±0.20 ANG. ±5°0'	APPROVED 承認	London 2022/3/26	1/1	Mini PCI Express Pitch:0.8mm Series Package	M30-C088-00002	3/4
								London 2022/3/26	A4	CUT-C088-00X		A

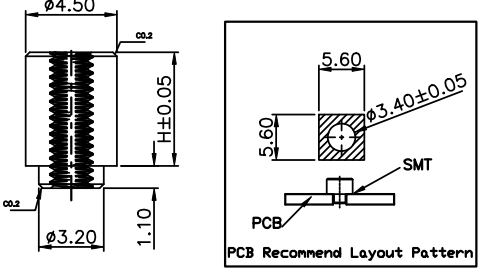
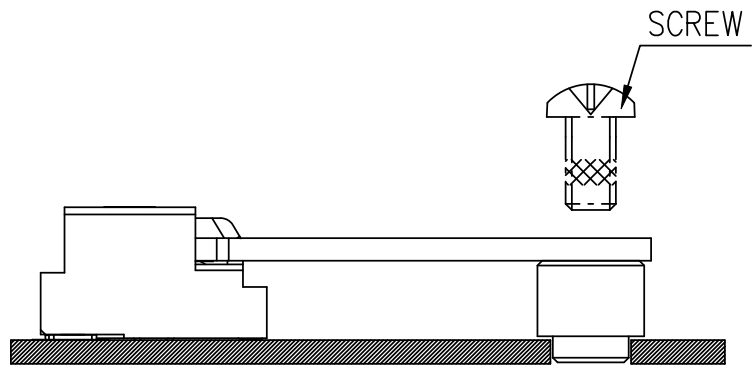


NUT : MPE-NUT-0X

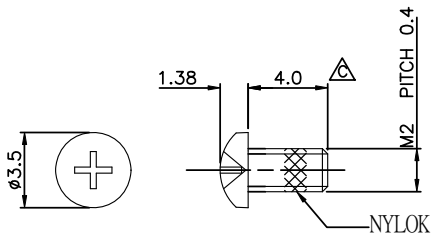


P/N	"H"±0.1	Mini PCI E P/N
MPE-NUT-01	1.6	MPCIE-02400(4.0H)
MPE-NUT-02	2.8	MPCIE-02520(5.2H)
MPE-NUT-03	3.2	MPCIE-02560(5.6H)
MPE-NUT-04	5.6	MPCIE-02800(8.0H)
MPE-NUT-05	6.8	MPCIE-02920(9.2H)

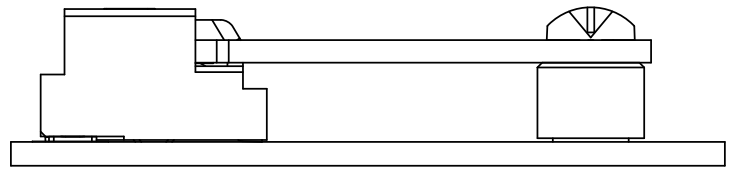
NOTE:
 1.MATERIAL: Copper Alloy
 2.Plating: Sn.



SCREW : MPE-SCREW-01



NOTE:
 1.MATERIAL: LOW CARBON STEEL C1018
 2.Plating: NICKLE
 3.△TOLERANCE: +0/-0.3



華大電子股份有限公司
 WALTA ELECTRONIC CO.,LTD.
 TEL:886-2-26577778;FAX:886-2-26575659

REV. 版本	ECN NO. 設變號碼	MARK 記號	REVISIONS 設變內容	SIGN 修改	DATE 日期	UNLESS OTHERWISE SPECIFIED TOLERANCE 尺寸公差	CHECKED 審核	DESIGNED 設計	UNIT 單位	TITLE 產品名稱
A	EXXXX-00X	△ X 0	-	Lonlon	2022/3/26	X. ±0.50 .X ±0.30 .XX ±0.20 ANG. ±5°00'	APPROVED 承認	Lonlon 2022/3/26	MM	Mini PCI Express Series Screw&NUT
								Lonlon 2022/3/26	SCALE 比例 1/1 SIZE 尺寸 A4	PART NO. 產品料號 M30-C088-00002 DOC. NO. 文件編號 CUT-C088-00X
										SHEET 頁碼 4/4 REV. 版本 A