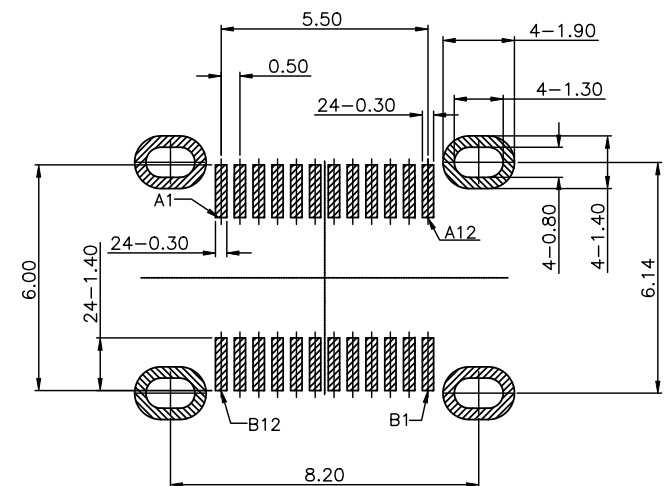
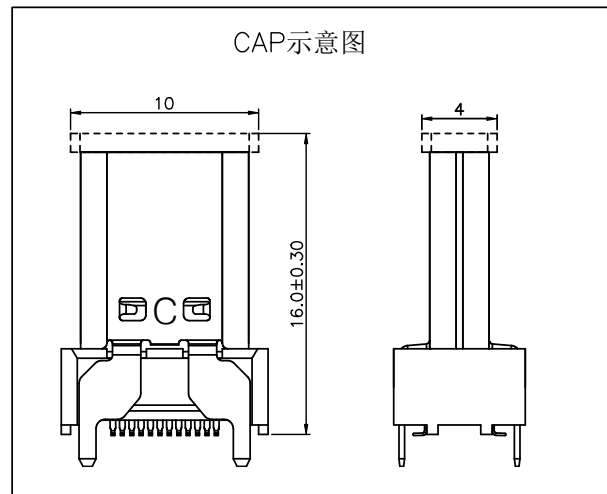
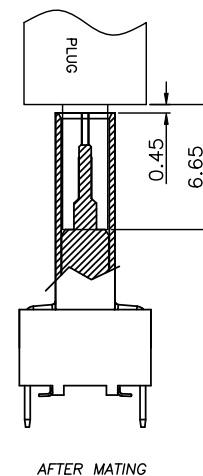
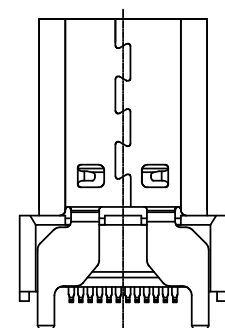
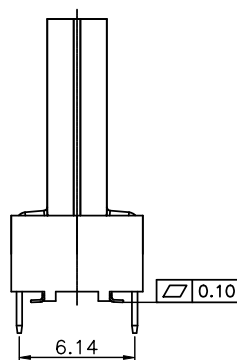
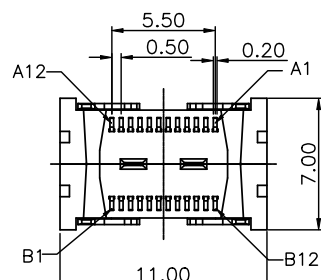
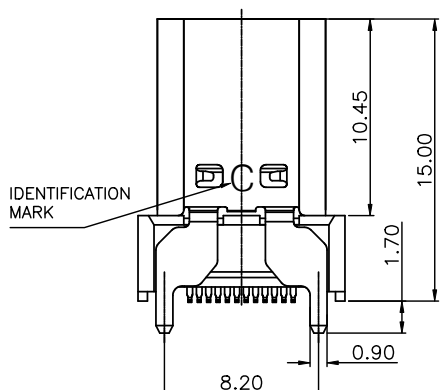
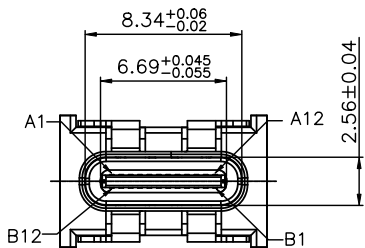


ITEM 項目	PARTS NAME 零件名稱	Q'TY 數量	MATERIAL 材質	FINISH/REMARK 處理/備註
1	Insermold Housing	1	LCP	(Black)UL94 V-0
2	CONTACT	24	C7025	Au 1u"Plated On Vontact Area Matt Tin Plated On Solder Area; Nickel 50u"Min Underplating Over All.
3	SHELL	1	SUS304	Ni:30u" Min
4	MID-PLATE	1	SUS301	NO PLATED
5	EMI Plate	1	SUS301	NO PLATED
6	CAP	1	LCP	(Black)UL94 V-0



RECOMMEND P.C.B LAYOUT (TOW VIEW)  
TOLERANCE FOR PCB LAYOUT IS ±0.05  
PCB THICKNESS:1.80MM

**SPECIFICATION**  
**MATERIAL**  
 See drawing  
**STANDARD DATA**  
 Rating current:  
 5.0A for VBUS (i.e.,pins A4,A9,B4,B9)  
 1.25A for Vconn and GND (i.e.,pins B5,A1,A12,B1,B12)  
 0.25A for all the other contacts.  
 Operating temperature: -10°C ~ +60°C  
 Storage temperature: -20°C ~ +85°C  
**ELECTRICAL**  
 Insulator resistance: 100Mohms Min.  
 Withstanding voltage: 100 VAC / minute  
 Contact resistance: initial 40mohms Max;  
 after 50mohms Max.

**MECHANICAL**  
 Mating force: 5~20N  
 Unmating force : Initial 8~20N  
 After 10000 cycles 6~20N  
 Durability: 10000 cycles Min.  
**PART NO.**

U 0 5 - C 1 1 1 - 0 2 4 0 1  
 SERIES U=I/O Connector MODEL NO. TYPE NO. 001=Type 001  
 TYPE CONTACT NUMBER 24=24position  
 0=0.5mm pitch CONTACT TYPE  
 5=SMT type

PIN DEFINITION:

PIN No.	A1	A2	A3	A4	A5	A6	A7	A8	A9	A10	A11	A12
SIGNAL NAME	GND	TX1+	TX1-	VBUS	CC1	D+	D-	SBU1	VBUS	RX2-	RX2+	GND

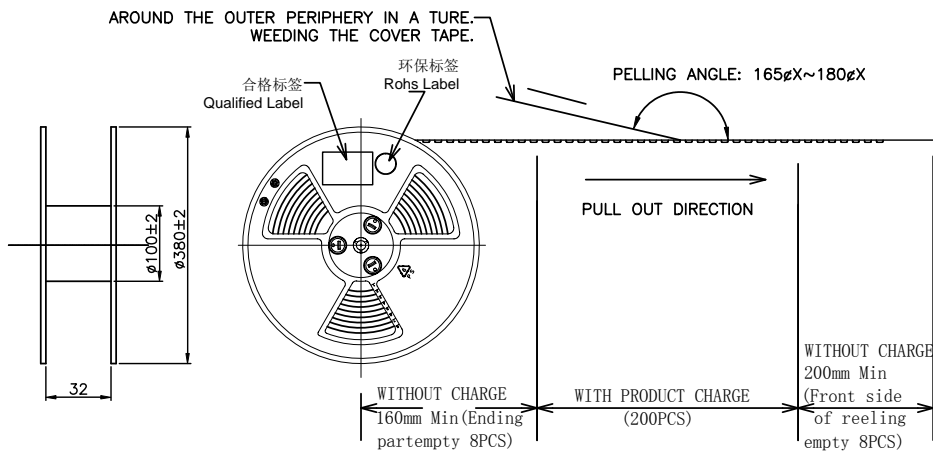
  

PIN No.	B12	B11	B10	B9	B8	B7	B6	B5	B4	B3	B2	B1
SIGNAL NAME	GND	RX1+	RX1-	VBUS	SBU2	D-	D+	CC2	VBUS	TX2-	TX2+	GND

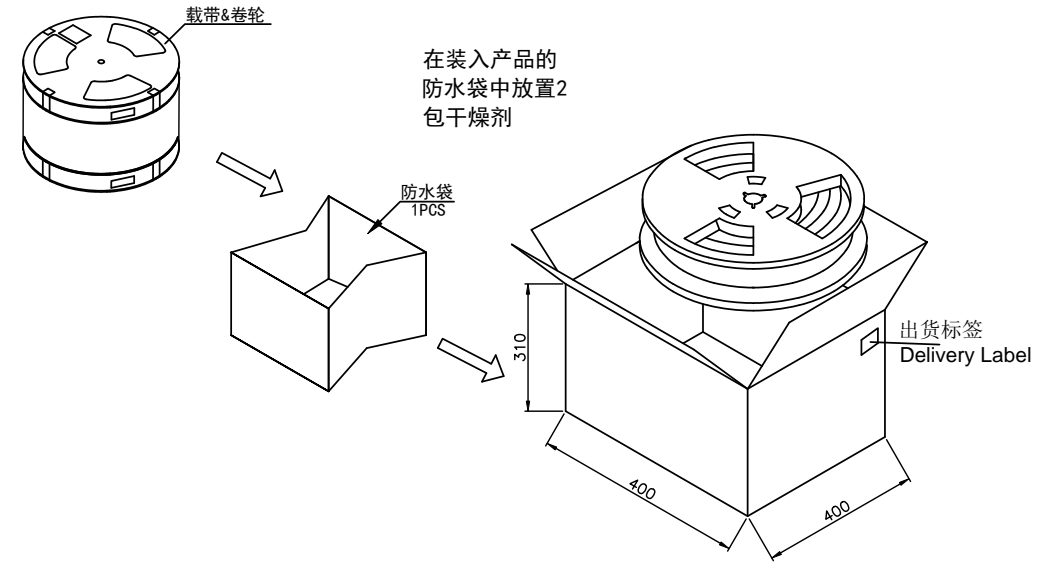
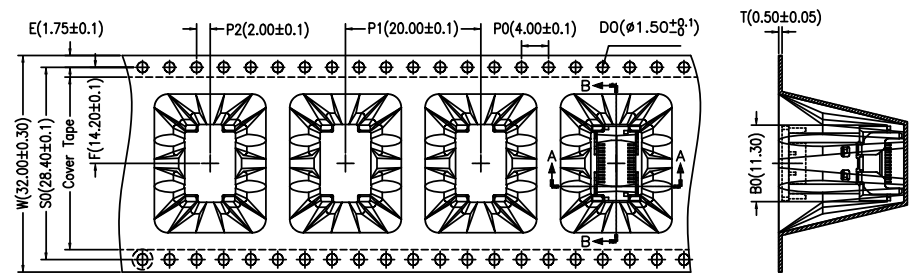


**WALTA** 華大電子股份有限公司  
 WALTA ELECTRONIC CO.,LTD.  
 TEL:886-2-26577778;FAX:886-2-26575659

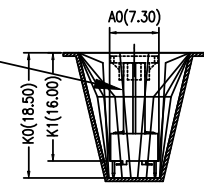
REV. 版本	ECN NO. 設變號碼	MARK 記號	REVISIONS 設變內容	SIGN 修改	DATE 日期	UNLESS OTHERWISE SPECIFIED TOLERANCE 尺寸公差	CHECKED 審核	DESIGNED 設計	SCALE 比例	TITLE 產品名稱	PART NO. 產品料號	SHEET 頁碼
A	E2311-003	△ X 0	-	zhijun	2024/3/12	.X ±0.50 .XX ±0.20 .XXX ±0.10 ANG. ±2'00'	APPROVED 承認	zhijun 2024/3/12	1/1	USB 3.1 TYPE C FEMALE VERTICAL H 15.0mm SMT TYPE	U05-C111-02401	1/2
1	2	3	4	5	6	7	8	9	10			



ITEM 項目	PARTS NAME 零件名稱	FINISH/REMARK 處理/備註
1	I/O CONNECTOR	1600 PCS/BOX(REFERENCE)
2	BOX	8 REEL/BOX
3	WATERPROOF BAG	1 PCS
4	REEL	--
5	COVER TAPE	(COLOR:TRANSPARENT)
6	CARRIER TAPE	200 PCS/REEL(REFERENCE)
7	LABEL	批號標籤



产品放置载带中时，铆合面方向可以不一致！！



**WALTA** 華大電子股份有限公司  
WALTA ELECTRONIC CO.,LTD.  
TEL.886-2-26577778;FAX.886-2-26575659

REV. 版本	ECN NO. 設變號碼	MARK 記號	REVISIONS 設變內容	SIGN 修改	DATE 日期
A	E2311-003	△ X 0	-	zhijun	2024/3/12

UNLESS OTHERWISE SPECIFIED TOLERANCE 尺寸公差	CHECKED 審核	DESIGNED 設計	TITLE 產品名稱	UNIT 單位	SCALE 比例	PART NO. 產品料號	SHEET 頁碼
X. ±0.50 .X ±0.30 .XX ±0.20 .XXX ±0.10 ANG. ±2°00'		zhijun 2024/3/12	USB 3.1 TYPE C FEMALE VERTICAL H 15.0mm SMT TYPE	MM	1/1	U05-C111-02401	2/2
	APPROVED 承認	DRAWN 製圖 zhijun 2024/3/12	DOC. NO. 文件編號 CUT-C111-001	SIZE 尺寸 A4			REV. 版本 A