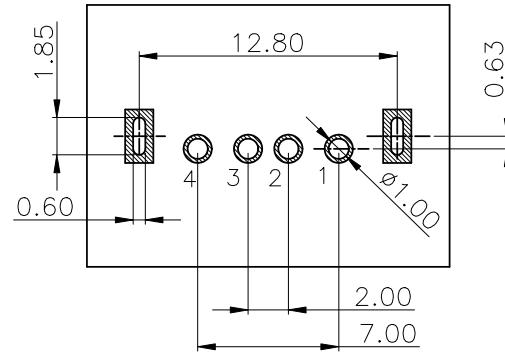
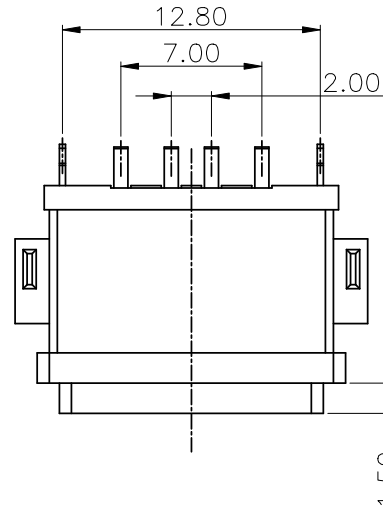


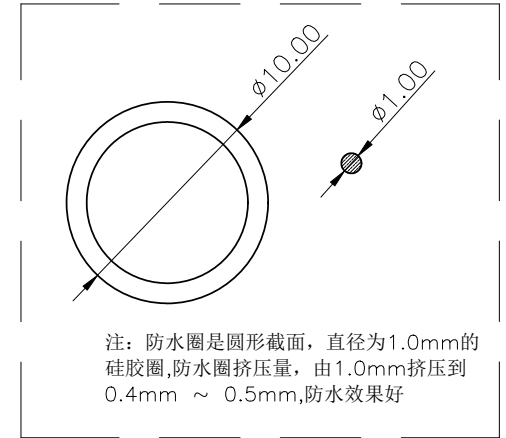
PIN ASSIGNMENT

PIN NO.	1	2	3	4
SINGAL NAME	VBUS	D-	D+	GND

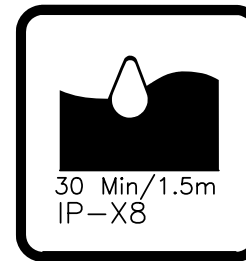
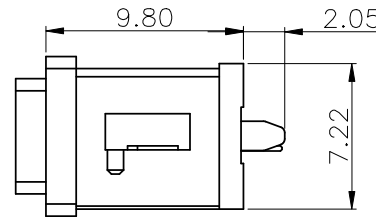
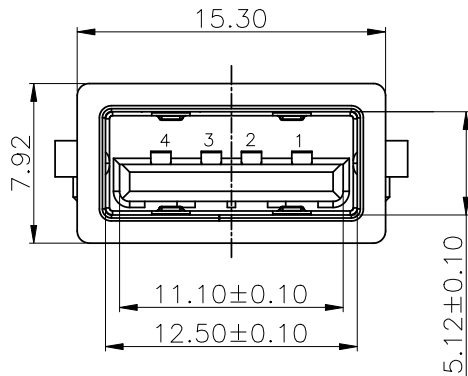
PARTS NAME 零件名稱	Q'TY 數量	MATERIAL 材質	FINISH/REMARK 處理/備註
HOUSING	1	SYNTHETIC RESIN	Black
CONTACT	4	COPPER ALLOY	1u" Gold on contact area 80u" Tin on solder tails, base Ni:50u"
SHELL	1	STAINLESS	Ni:50u"
COVER	1	SYNTHETIC RESIN	Black



RECOMMENDED PCB LAYOUT(TOP VIEW)
 DEFAULT TOLERANCE ± 0.05
 THICKNESS T=1.6mm



注：防水圈是圆形截面，直径为1.0mm的硅胶圈，防水圈挤压量，由1.0mm挤压到0.4mm ~ 0.5mm，防水效果好

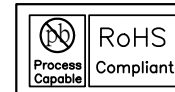


NOTES:

SPECIFICATION:

- CURRENT RATING: 3.0A MAX
- DIELECTRIC WITHSTAND VOLTAGE: 500 VAC
- CONTACT RESISTANCE: 40 MOHMS MAX.
- INSULATION RESISTANCE: 1000 MOHMS MIN.
- INSERTION FORCE: 35N(3.57kgf) MAX.
- UNMATING FORCE: 10N(1.02kgf) MIN.
- DURABILITY:1500 CYCLES
- PART NO.

SERIES U 01 - C 113 - 004 01 TYPE NO.
 USB Connector 01=Type 1
 CONN TYPE NO. 01=type 1
 FORM OF FACTORY C=Connector of factory
 CONTACT NUMBER 004=4 position
 FACTORY CODE



WALTA 華大電子股份有限公司
 WALTA ELECTRONIC CO.,LTD.
 TEL:886-2-26577778;FAX.886-2-26575659

REV. 版本	ECN NO. 設變號碼	MARK 記號	REVISIONS 設變內容	SIGN 修改	DATE 日期	UNLESS OTHERWISE SPECIFIED TOLERANCE 尺寸公差	CHECKED 審核	DESIGNED 設計	UNIT 單位	TITLE 產品名稱	PART NO. 產品料號	REV. 版本
A	E2110-003	△ X 0		CR	2021/10/13	X. ±0.50 .X ±0.30 .XX ±0.20 ANG. ±5°0'		CR 2021/10/13	MM	USB 2.0 防水母座	U01-C113-00401	A
							APPROVED 承認	CR 2021/10/13	SCALE 比例 1/1 SIZE 尺寸 A4	DOC. NO. 文件編號	CUT-C113-001	