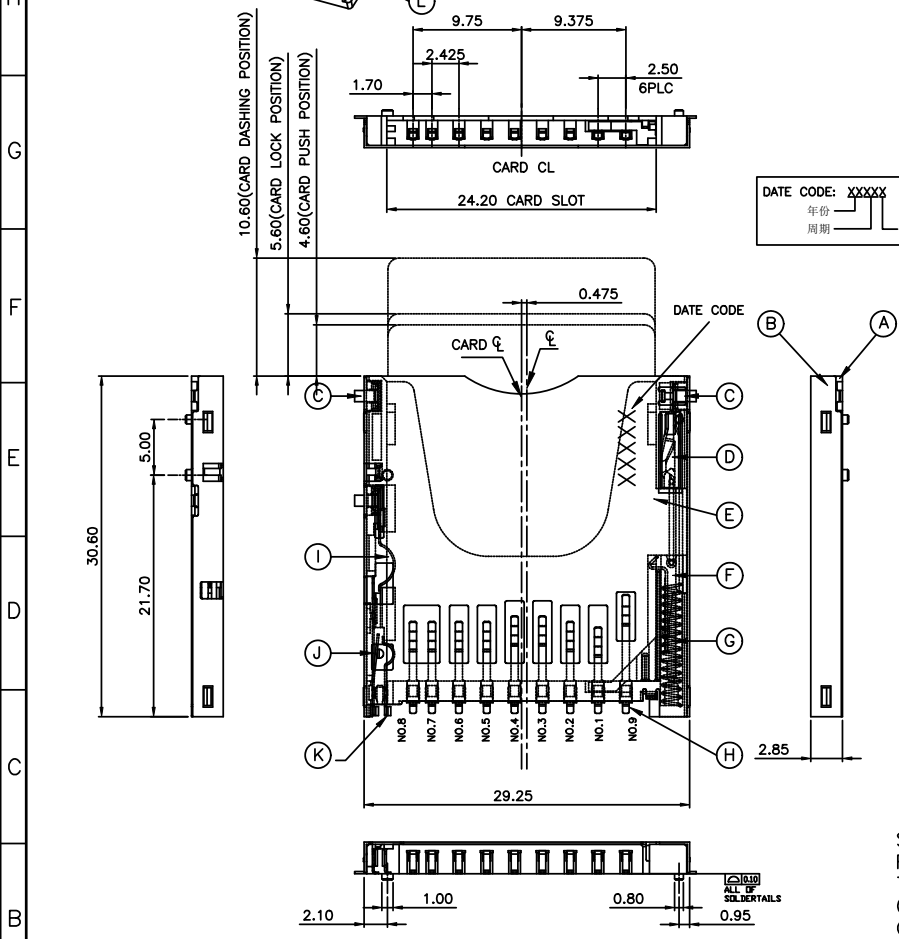


NOTES:
 1. SPECIFICATIONS: (OPTION)
 ELECTRICAL:
 RATING CURRENT: 0.5 A
 INSULATION RESISTANCE: 1000MΩ Min. at 100V DC
 CONTACT RESISTANCE: 100 mΩ Max.
 WITHSTANDING VOLTAGE: 500V AC
 MECHANICAL:
 CONTACT RETENTION Force: 0.25kgf MIN.
 INSERTION FORCE: 4.2kgf MAX.
 WITHDRAWAL FORCE: 0.21kgf MIN.
 Durability:10,000 times

ITEM 項目	PARTS NAME 零件名稱	MATERIAL 材質	FINISH/REMARK 處理/備註
A	HOUSING	SYNTHETIC RESIN	BLACK
B	SHELL	STAINLESS T=0.2	NON-PLATING
C	HOLDDOWN CONTACT	COPPER ALLOY T=0.20	80u"MIN. TIN PLATING ON SOLDER TAIL AREA 30u"MIN. NICKEL UPDERPLATING OVERALL
D	CAM PIN	STAINLESS Ø0.4	NON-PLATING
E	CARD LOCK	STAINLESS T=0.20	NON-PLATING
F	SLIDER CAM	SYNTHETIC RESIN	BLACK
G	SPRING	SWP Ø0.25	50u"MIN. NICKEL UPDERPLATING OVERALL
H	CONTACT-SD	COPPER ALLOY T=0.15	5u"MIN. GOLD PLATING ON CONTACT AREA 80u"MIN. TIN PLATING 30u"MIN. NICKEL UPDERPLATING OVERALL
I	PROTECT CONTACT		
J	PROTECT CONTACT AND DETECT CONTACT-SWITCH		
K	DETECT CONTACT		
L	假卡	SYNTHETIC RESIN	BLACK



- WHEN DELIVERING, THE PSH/PUSH MECHANISM IS IN THE STATE OF THE UNLOCK.
(CARD DASHING OUT POSITION)
- CARD READ ONLY BY THE TIME THE CARD DETECTION SWITCH WORKS.
- OPEN AND CLOSE OF EACH SWITCH.

CARD INSERTION STATUS	WRITE PROTECT SWITCH		DETECT SWITCH
	WRITE PROTECT POSITION	WRITE ENABLE POSITION	
CARD UNINSERTION	OPEN	OPEN	OPEN
CARD HALF INSERTION	COLSE	COLSE	OPEN
CARD INSERTION	OPEN	COLSE	COLSE

5.PART NO. F 0 3 - 0655 - 00 008

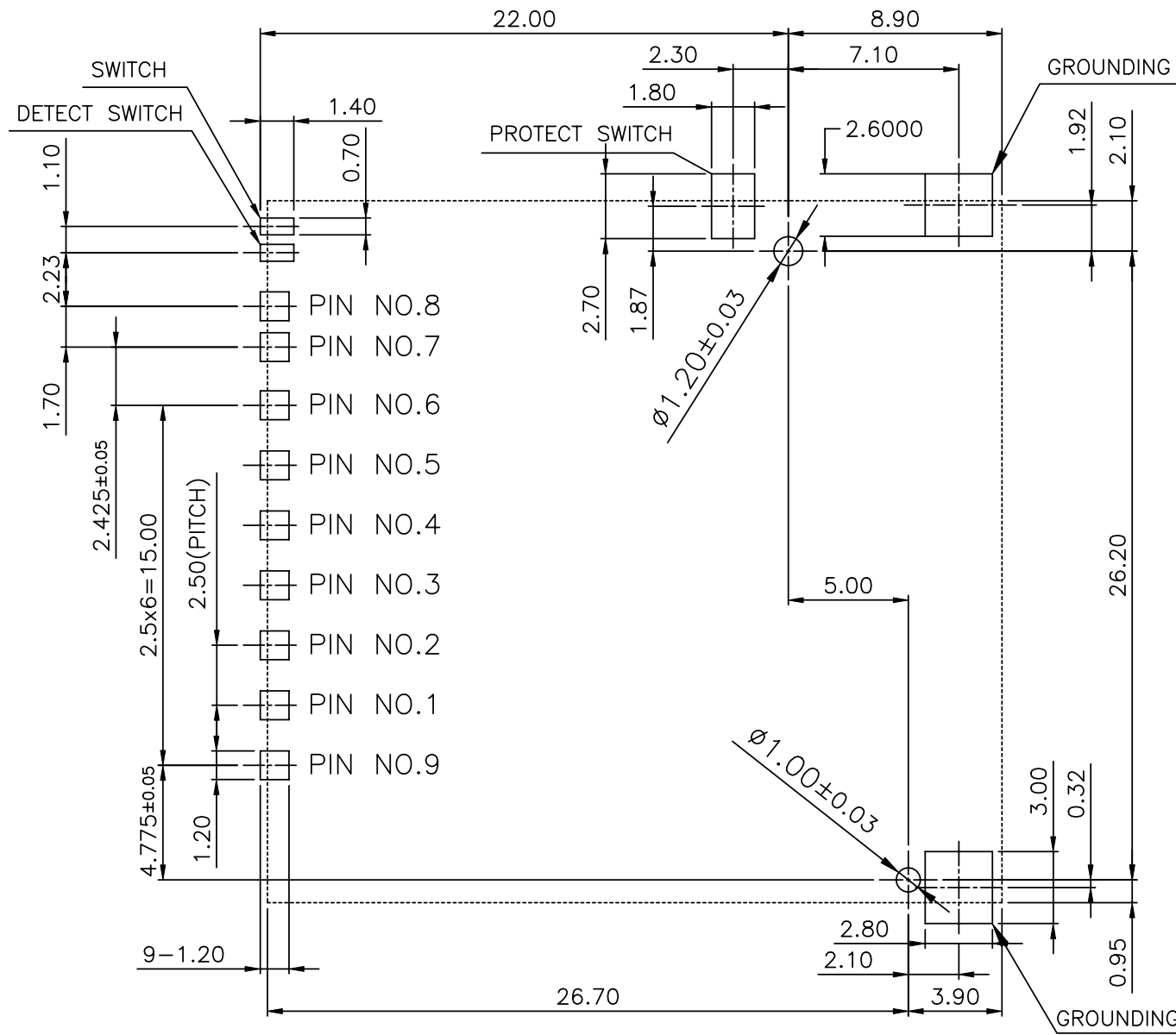
SERIES F=MEMORY CARD
 TYPE 0=OTHER PITCH
 CONTACT TYPE 3=SMT TYPE

MODEL NO. 008=Type 8
 CONTACT NUMBER
 00=REF. NO.



WALTA 華大電子股份有限公司
 WALTA ELECTRONIC CO.,LTD.
 TEL:886-2-26577778;FAX:886-2-26575659

F	E1310-006	△ X 0	修正开关PIN的结构	huabo	2013/10/30	UNLESS OTHERWISE SPECIFIED TOLERANCE 尺寸公差 X. ±0.50 .X ±0.30 .XX ±0.20 ANG. ±5°00'	CHECKED 審核	DESIGNED 設計 JIMMY 10/20/05"	TITLE 產品名稱 SD MEMORY CARD CONN REVERSE TYPE WITH PUSH PUSH (FOR MOLEX SD-67913-001)加長版	
E	E1212-006	△ X 2	包裝圖資料修正	BiaoBiao	2012/12/19					
D	E1103-023	△ X 2	修正端子电镀规格	Zhaohua	2011/03/28		APPROVED 承認	DRAWN 製圖 JIMMY 10/20/05"	SCALE 比例 1/1 SIZE 尺寸 A4	
REV. 版本	ECN NO. 設變號碼	MARK 記號	REVISIONS 設變內容	SIGN 修改	DATE 日期				PART NO. 產品料號 F03-0655-00008 DOC. NO. 文件編號 CUT-0655-008 1/3	REV. 版本 F



PIN DEFINE

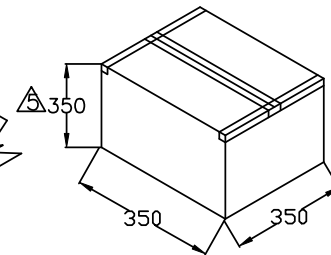
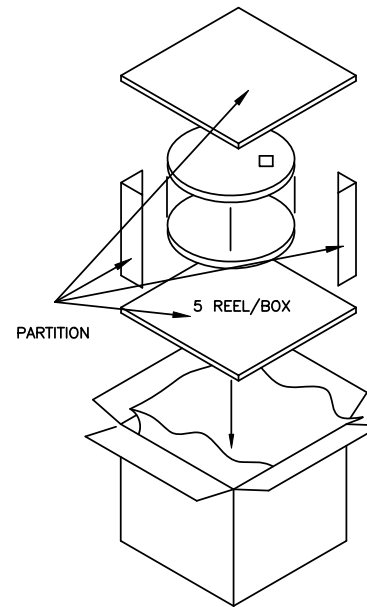
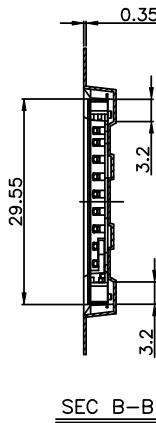
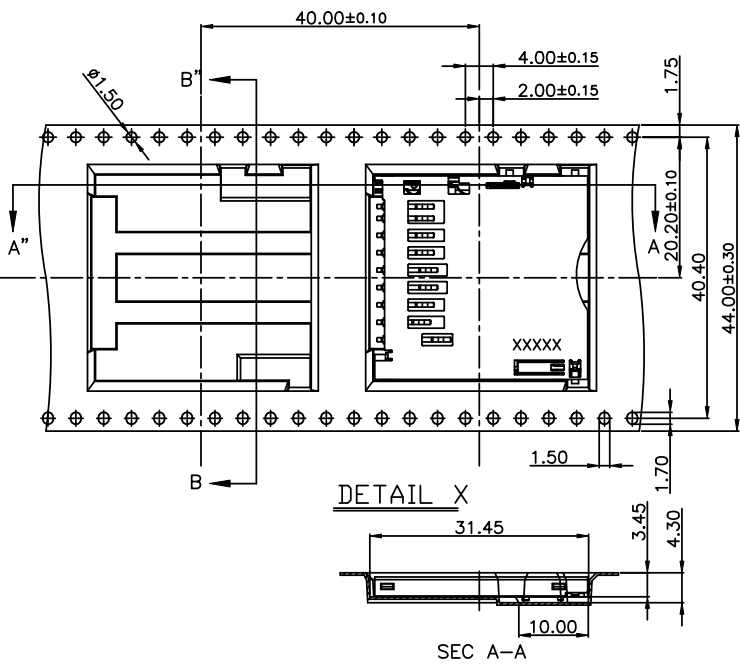
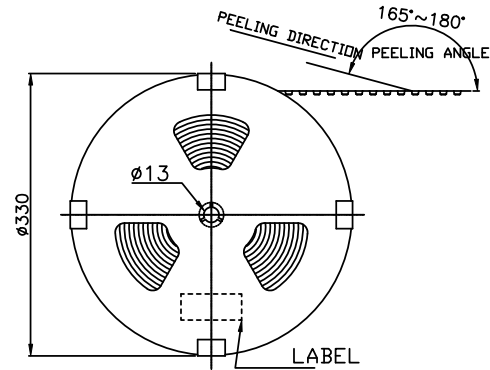
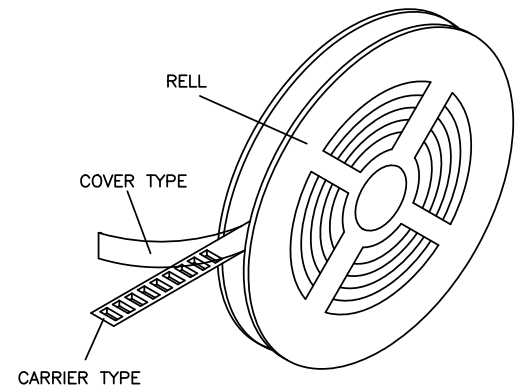
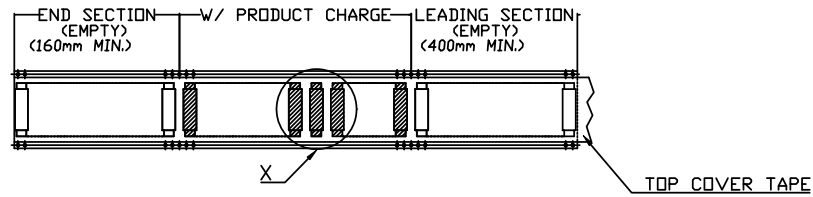
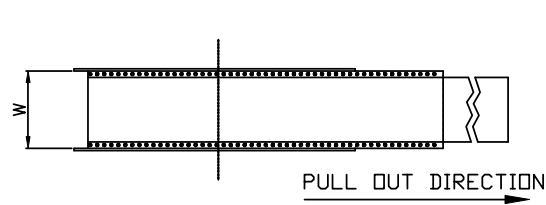
PAD NO.	MEMORY CARD
SD-01	SD-CD/DAT3
SD-02	SD-CMD
SD-03	SD-VSS
SD-04	SD-VDD
SD-05	SD-CLK
SD-06	SD-VSS
SD-07	SD-DAT0
SD-08	SD-DAT1
SD-09	SD-DAT2

PCB TOLERANCE: ±0.05

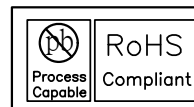



華大電子股份有限公司
WALTA ELECTRONIC CO.,LTD.
 TEL:886-2-26577778;FAX:886-2-26575659

DESIGNED 設計 JIMMY 10/20/05"	CHECKED 審核	TITLE 產品名稱 RECOMMENDED PCB LAYOUT	
DRAWN 製圖 Liang 10/20/05"	APPROVED 承認	SCALE 比例 1/1 SIZE 尺寸 A4	PART NO. 產品料號 F03-0655-00008 DOC. NO. 文件編號 CUT-0655-008 2/3
REV. 版本	ECN NO. 設變號碼	MARK 記號	REVISIONS 設變內容
			SIGN 修改
			DATE 日期
UNLESS OTHERWISE SPECIFIED TOLERANCE 尺寸公差		X. ±0.20	
		.X ±0.10	
		.XX ±0.05	
		ANG. ±5°00'	



- NOTES
- 1.MATERIAL: PS (Color: black)
 - 2.DEFORMATION(變形)&DAMAGE(損壞): NA.(不可)
 - 3.PACKING: 350 PCS/REEL ; 5 PCS REEL/BOX



WALTA 華大電子股份有限公司
WALTA ELECTRONIC CO.,LTD.
TEL:886-2-26577778;FAX:886-2-26575659

F	E1212-006	△ X 0	修正开关PIN的结构	huabo	2013/10/30	UNLESS OTHERWISE SPECIFIED TOLERANCE 尺寸公差 .X ±0.40 .XX ±0.25 .XX ±0.10 ANG. ±2°00'	CHECKED 審核	DESIGNED 設計 JIMMY 10/20/05"	TITLE 產品名稱 Packing Drawing
E	E1212-006	△ X 2	包裝圖資料修正	BiaoBiao	2012/12/19				
D	E1103-023	△ X 2	修正端子电镀规格	Zhaohua	2011/03/28	APPROVED 承認	DRAWN 製圖 JIMMY 10/20/05"	SCALE 比例 1/1	PART NO. 產品料號 F03-0655-00008
REV. 版本	ECN NO. 設變號碼	MARK 記號	REVISIONS 設變內容	SIGN 修改	DATE 日期	SIZE 尺寸 A4	DOC. NO. 文件編號 CUT-0655-008 3/3	REV. 版本 F	