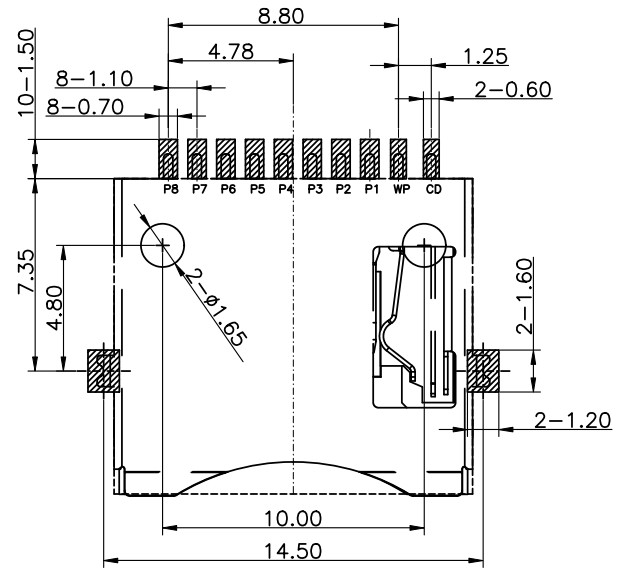


CARD DETECTION SWITCH	
WHEN CARD IS EJECTED	WHEN CARD IS INSERED
OPEN	CLOSE
Cd G	Cd G

Pin NO.	Pin assignment
1	DAT2
2	CD/DAT3
3	CMD
4	VDD
5	CLK
6	VSS
7	DAT0
8	DAT1
CD	CARD DETECTION
GND	GROUND



PCB LAYOUT TOP VIEW
(TOLERANCE: ±0.05)

- NOTES:
- MATERIAL:
HOUSING: LCP, UL94V-0, Black
CONTACT: COPPER ALLOY
SHELL: COPPER ALLOY
 - FINISH:
CONTACT:
CONTACT AREA: G/F GOLD PLATED
SOLDER AREA: TIN PLATED
UNDER PLATING: NICKEL PLATED
SHELL:
SOLDER AREA: TIN PLATED
UNDER PLATING: NICKEL PLATED.
 - SPECIFICATION:
CURRENT RATING: 0.5A / (1PIN)
VOLTAGE RATING: 100V AC/DC
DIELECTRIC WITHSTANDING: 500V AC FOR 1 MINUTE
CONTACT RESISTANCE: 100mΩ Max.
INSULATION RESISTANCE: 1000MΩ Min
OPERATING TEMPERATURE: -25°C to +85°C
DURABILITY: 10000 CYCLES MIN.
INSERTION FORCE: 14N MAX.
WITHDRAWAL FORCE: 1N



華大電子股份有限公司
WALTA ELECTRONIC CO.,LTD.
 TEL:886-2-26577778;FAX:886-2-26575659

REV. 版本	ECN NO. 設變號碼	MARK 記號	REVISIONS 設變內容	SIGN 修改	DATE 日期	UNLESS OTHERWISE SPECIFIED TOLERANCE 尺寸公差	CHECKED 審核	DESIGNED 設計	UNIT 單位	TITLE 產品名稱	PART NO. 產品料號	REV. 版本
A	EXXXX-XXX	△ X 0	-	CR	2021/3/10	X. ±0.50 .X ±0.30 .XX ±0.20 ANG. ±5°0'	APPROVED 承認	2021/3/10	MM	Micro SD Push-Pull Type w/SW H:1.75mm	F03-0105-00001	A
1								2021/3/10	A4	CUT-XXX-00X		