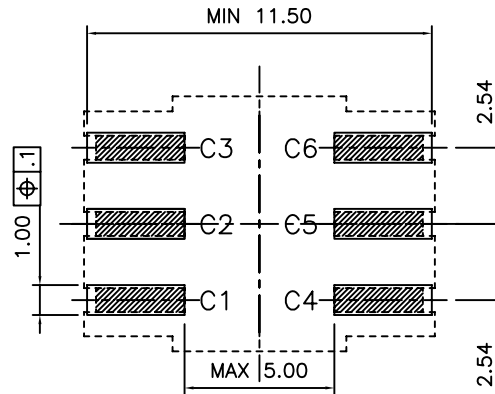
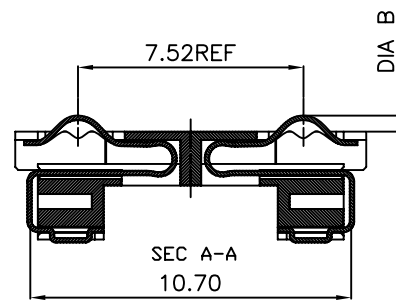
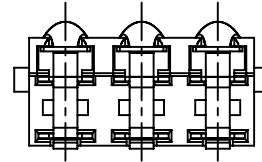
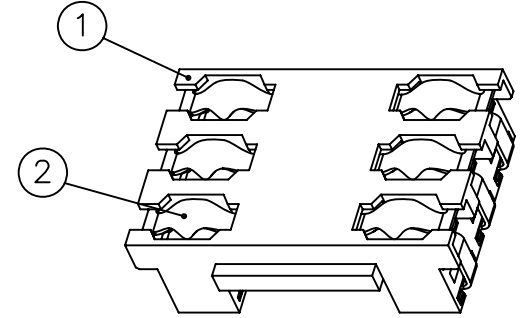


P/N	DIM A	DIM B
M30-XXXX-XXXXX	4.10 <sup>+0.09</sup> <sub>-0.04</sub>	0.50 <sup>+0.15</sup> <sub>-0.08</sub>
M30-XXXX-XXXXX	3.90±0.10	0.50±0.15
M30-0728-00002	3.70±0.10	0.50±0.15
M30-XXXX-XXXXX	3.50±0.10	0.50±0.15
M30-XXXX-XXXXX	3.30±0.10	0.50±0.15
M30-XXXX-XXXXX	3.10±0.10	0.50±0.15
M30-XXXX-XXXXX	2.90±0.10	0.50±0.15
M30-XXXX-XXXXX	2.70±0.10	0.50±0.15
M30-XXXX-XXXXX	2.50±0.10	0.50±0.15
M30-XXXX-XXXXX	2.30±0.10	0.50±0.15

ITEM 項目	PARTS NAME 零件名稱	Q'TY 數量	MATERIAL 材質	FINISH/REMARK 處理/備註
1	HOUSING	1	LCP	(Black)
2	CONTACT	6	Phosphor Bronze	Base : Ni:50u" Min Contact area : 5u" gold plating 1~3u" gold flash over all



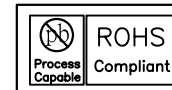
RECOMMENDED PCB MOUNTING PATTERN

**SPECIFICATION**  
**MATERIAL**  
 See drawing  
**STANDARD DATA**  
 Rating current: 1.0A  
 Applicable wire: AWG#26 Max.  
 Operating temperature: -25°C ~ +70°C  
 Storage temperature: -40°C ~ +85°C  
**ELECTRICAL**  
 Insulator resistance: 500M ohms Min. @ 100 VDC  
 Withstanding voltage: 500 VAC / minute  
 Contact resistance: 50 m ohms Max.  
**MECHANICAL**  
 Mating force: 30N(3.06kgf) Max.  
 Unmating force (Without lock): 0.4N(0.04kgf) Min.  
 Durability: 5000 cycles Min.  
 Contact retention force: 0.4N(0.04kgf) Min  
 PART NO.

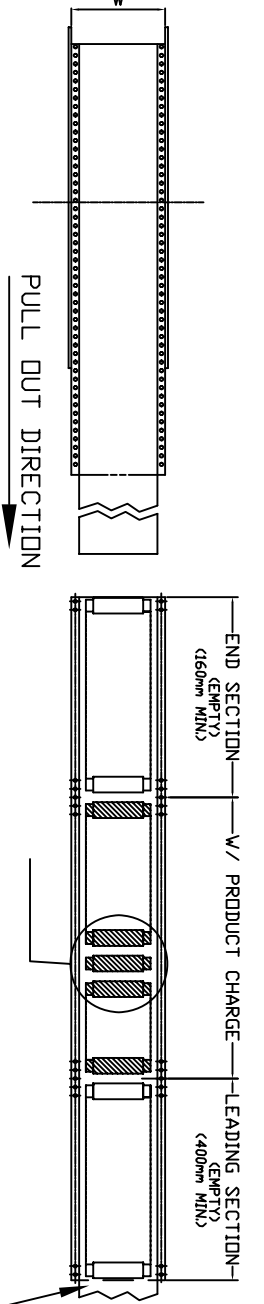
E 0 3 - 0728 - 06 002

SERIES A=SIM CARD  
 TYPE 2=OTHER TYPE  
 CONTACT TYPE 3=SMD TYPE

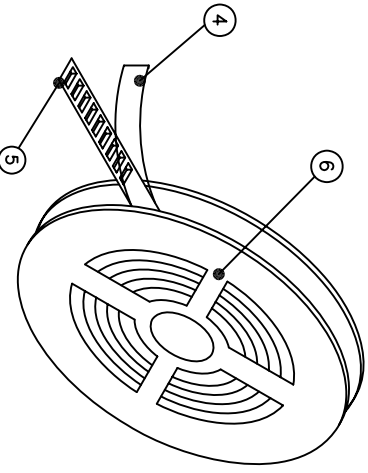
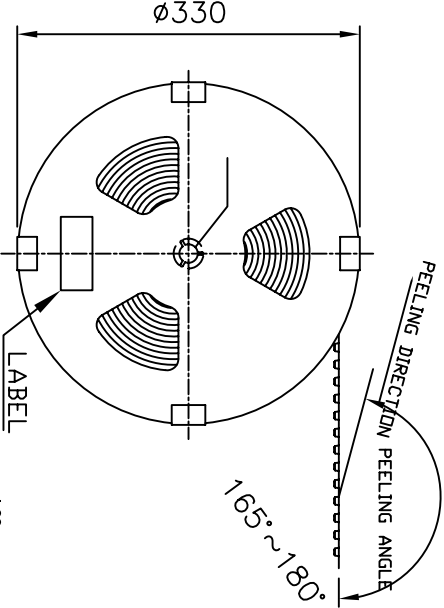
MODEL NO. TYPE NO. 002=TYPE 2  
 CONTACT NUMBER 06=06 position



A	REV. 版本	ECN NO. 設變號碼	MARK 記號	REVISIONS 設變內容	SIGN 修改	DATE 日期	UNLESS OTHERWISE SPECIFIED TOLERANCE 尺寸公差 X. ±0.50 .X ±0.30 .XX ±0.20 ANG. ±5'00"	CHECKED 審核	DESIGNED 設計 Brian 08/22/08'	TITLE 產品名稱 6 PIN SIM CARD	UNIT 單位 MM	PART NO. 產品料號 E03-0728-06002	REV. 版本 A
	E0806-005	X 0	新增	Brian	08/22/08'	APPROVED 承認	08/22/08'	DRAWN 製圖 Brian 08/22/08'	SCALE 比例 1/1	PART NO. 產品料號 E03-0728-06002	DOC. NO. 文件編號 CUT-0728-003	1/2	

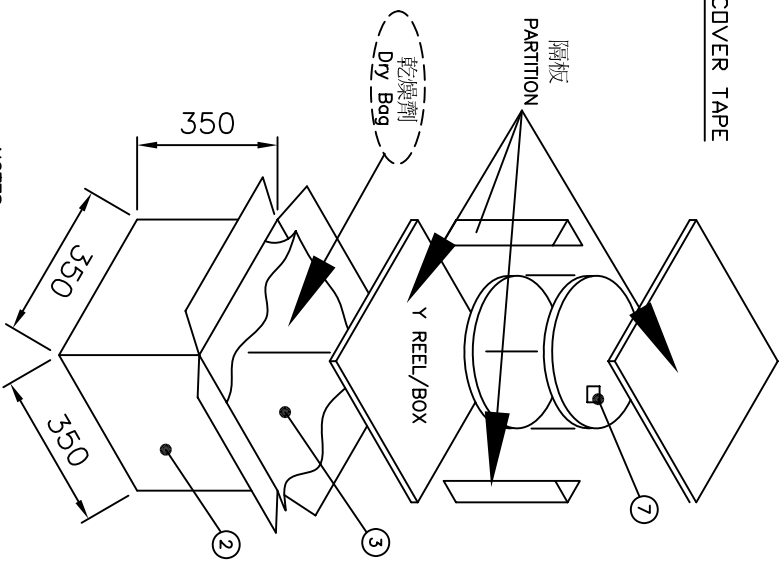
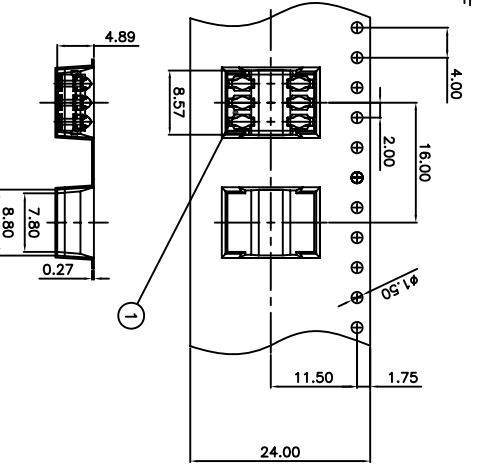


ITEM	PARTS NAME	FINISH/REMARK
項目	零件名稱	處理/備註
1	CONNECTOR	—
2	BOX	12PCS REEL/BOX
3	WATERPROOF BAG	1 PCS
4	REEL	800PCS/REEL
5	COVER TAPE	Wide=24mm
6	CARRIER TAPE	1.3M/REEL
7	LABEL	批號標籤



收料方向  
CARRIER MATERIAL  
DIRECTION

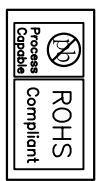
客戶收料方向  
INPUT MATERIA  
DIRECTION



NOTES  
 1. MATERIAL: PS (Color: 黑色)  
 2. DEFORMATION (變形) & DAMAGE (損壞): NA (不可)  
 3. All dimensions meet EIA-481-C requirements.

REV. 版本	E0806-005	MARK 記號	X 0	REVISIONS 變更內容	Brian	DATE 日期	08/22/08
REV. 版本		MARK 記號		REVISIONS 變更內容	Brian	DATE 日期	

UNLESS OTHERWISE SPECIFIED TOLERANCE 尺寸公差	CHECKED 審核	DESIGNED 設計	ROHS Compliant	TITLE 產品名稱
X. ±0.50	Brian	08/22/08	ROHS Compliant	6 PIN SIM CARD
.X ±0.30	APPROVED 承認	DRAWN 製圖		SCALE 1/1 產品比例
.XX ±0.20	Brian	08/22/08		DOC. NO. E03-0728-06002
ANG. ±5'00"		SIZE A4 尺寸		CUT-0728-003 2/2



**WALTA**  
 華大電子股份有限公司  
 WALTA ELECTRONIC CO.,LTD.  
 TEL:886-2-27565888/FAX:886-2-27673342