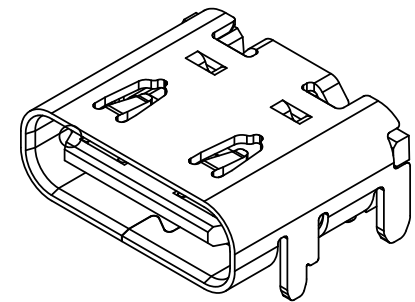


RECOMMENDED P.C.B. LAYOUT
TOLERANCE UNSPECIFIED ±0.05mm

A1	GND	B12	GND
A4	VBUS	B9	VBUS
A5	CC1	B8	SBU2
A6	DP1	B7	DN2
A7	DN1	B6	DP2
A8	SBU1	B5	CC2
A9	VBUS	B4	VBUS
A12	GND	B1	GND
PIN	SIGNAL NAME	PIN	SIGNAL NAME

ITEM 項目	PARTS NAME 零件名稱	Q'TY 數量	MATERIAL 材質	FINISH/REMARK 處理/備註
1	HOUSING	1	PA9T	Black(UL-94-V0)
2	CONTACT	16	C18400	Au:30u" on contact area; 100u" Tin on solder tails,base Ni:80u"
3	SHELL	1	SUS304	Ni:50u"
4	Mid-plate	1	SUS301	-



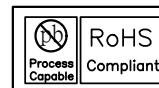
SPECIFICATION
MATERIAL

See drawing
STANDARD DATA
Rating current:
5.0A for VBUS (i.e.,pins A4,A9,B4,B9)
1.25A for Vconn and GND (i.e.,pins B5,A1,A12,B1,B12)
0.25A for all the other contacts.
ELECTRICAL
Insulator resistance: 100Mohms Min.
Withstanding voltage: 100 VAC / minute
Contact resistance: initial 40mohms Max;
after 50mohms Max.

MECHANICAL

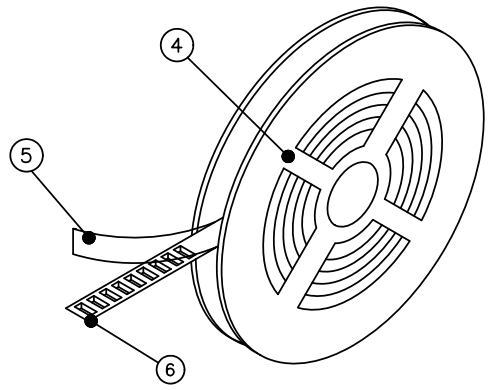
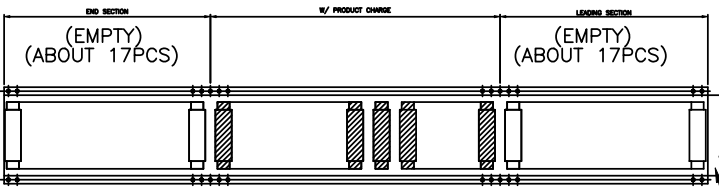
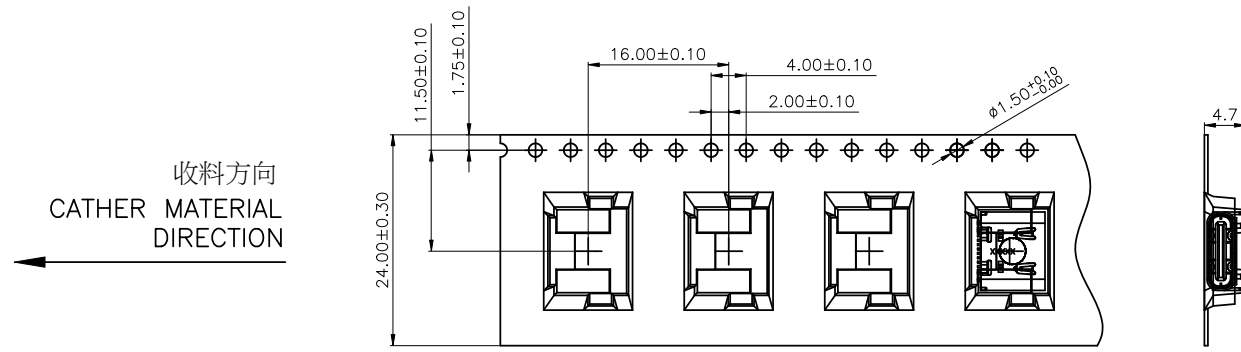
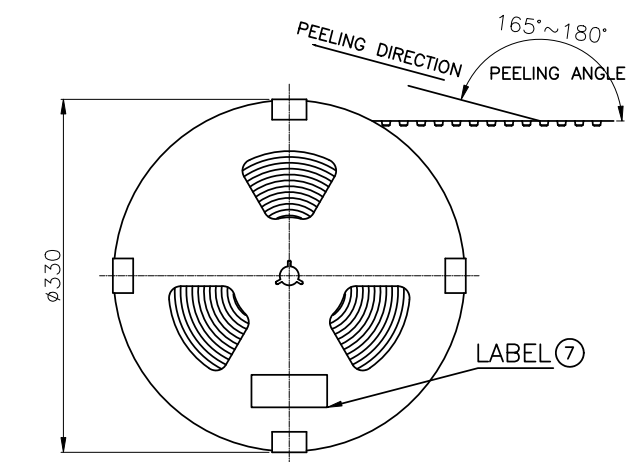
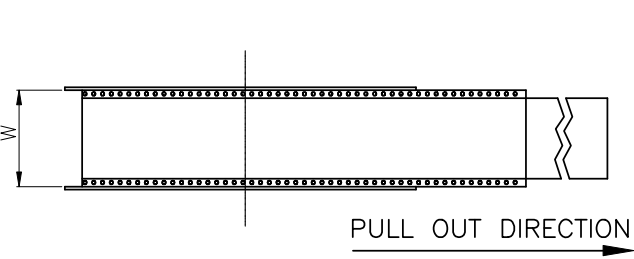
Mating force: 5~20N
Unmating force : Initial 8~20N
After 10000 cycles 6~20N
Durability: 10000 cycles Min.
PART NO.

SERIES D 1 3 -0824 - 16 007
D=I/O Connector
TYPE 1=0.5mm pitch
CONTACT TYPE 3=SMT type
MODEL NO. TYPE NO.
007=Type 007
CONTACT NUMBER
16=16position



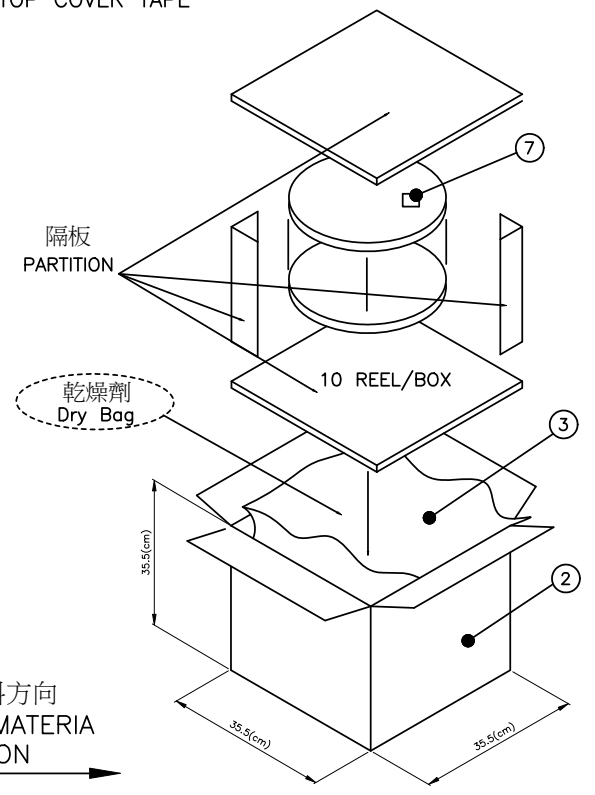
WALTA 華大電子股份有限公司
WALTA ELECTRONIC CO.,LTD.
TEL.886-2-26577778;FAX.886-2-26575659

REV. 版本	ECN NO. 設變號碼	MARK 記號	REVISIONS 設變內容	SIGN 修改	DATE 日期	UNLESS OTHERWISE SPECIFIED TOLERANCE 尺寸公差 X. ±0.50 .X ±0.25 .XX ±0.15 .XXX ±0.10 ANG. ±2'00"	CHECKED 審核	DESIGNED 設計 Lonlon 2023/5/5	UNIT 單位 MM	TITLE 產品名稱 TYPE-C 單排16PIN 有柱四腳插板 帶彈片	
A	EXXXX-00X	△ X 0		Lonlon	2023/5/5		APPROVED 承認	DRAWN 製圖 Lonlon 2023/5/5	SCALE 比例 1/1	PART NO. 產品料號 D13-0824-16007	REV. 版本 A



ITEM 項目	PARTS NAME 零件名稱	FINISH/REMARK 處理/備註
1	I/O CONNECTOR	8000 PCS/BOX(REFERENCE)
2	BOX	10 REEL/BOX
3	WATERPROOF BAG	1 PCS
4	REEL	--
5	COVER TAPE	(COLOR:TRANSPARENT)
6	CARRIER TAPE	800 PCS/REEL(REFERENCE)
7	LABEL	批號標籤

TOP COVER TAPE



客戶放料方向
INPUT MATERIA DIRECTION

TAPE REEL成品擺放方向

- NOTES
- 1.MATERIAL: PS (Color: 透明)
 - 2.DEFORMATION(變形)&DAMAGE(損壞): NA.(不可)
 - 3.All dimensions meet EIA-481-C requirements.

Process Capable

RoHS Compliant

WALTA

華大電子股份有限公司
WALTA ELECTRONIC CO.,LTD.
TEL:886-2-26577778;FAX:886-2-26575659

REV. 版本	ECN NO. 設變號碼	MARK 記號	REVISIONS 設變內容	SIGN 修改	DATE 日期	UNLESS OTHERWISE SPECIFIED TOLERANCE 尺寸公差	CHECKED 審核	DESIGNED 設計	SCALE 比例	TITLE 產品名稱	PART NO. 產品料號	REV. 版本
A	EXXXX-XXX	△ X 0	-	Lonlon	2023/5/5	X. ±0.50 .X ±0.30 .XX ±0.20 ANG. ±5'00"	APPROVED 承認	Lonlon 2023/5/5	1/1	包裝規範	D13-0824-16007	A
1	2	3	4	5	6	7	8	9	10			