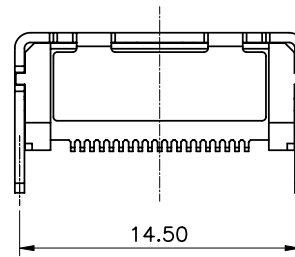
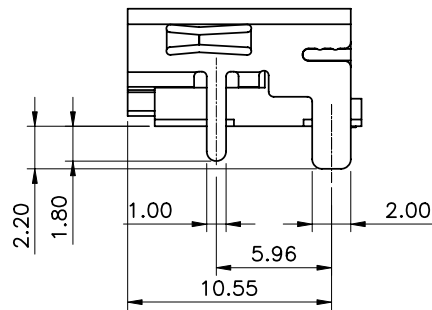
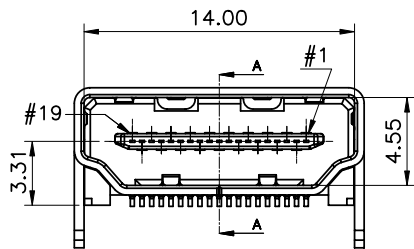
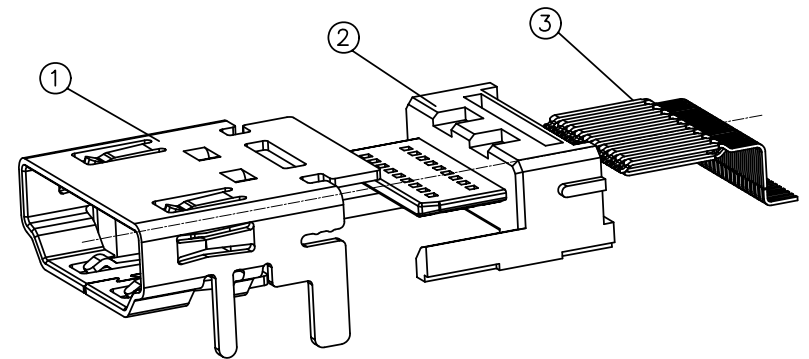
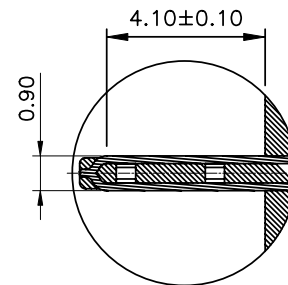


| ITEM<br>項目 | PARTS NAME<br>零件名稱 | Q'TY<br>數量 | MATERIAL<br>材質  | FINISH/REMARK<br>處理/備註           |
|------------|--------------------|------------|-----------------|----------------------------------|
| 1          | SHELL              | 1          | COPPER ALLOY    | Ni:50u"                          |
| 2          | HOUSING            | 1          | SYNTHETIC RESIN | BLACK                            |
| 3          | CONTACT            | 19         | COPPER ALLOY    | Gold Flash;Tin:100~120u";Ni:50u" |

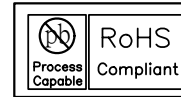


**SPECIFICATION**  
**MATERIAL**  
 See drawing  
**STANDARD DATA**  
 Rating current:0.5A  
 Operating temperature: -10°C ~ +60°C  
 Storage temperature: -20°C ~ +85°C  
**ELECTRICAL**  
 Insulator resistance: 100 Mohms Min. @ 500 VDC  
 Withstanding voltage: 500 VAC/minute  
 Contact resistance: 60 mohms Max.  
**MECHANICAL**  
 Insertion force: 44.1N(4.5Kgf) Max.  
 Withdrawal force: 9.8~39.2N(1.0~4.0Kgf).  
 Durability: 10000 cycles Min.  
 Contact retention force: 2.1N(0.21Kgf) Min.  
 PART NO.

SERIES          MODEL NO. D13 - 0715 - 19 54 1  
 D13=I/O CONNECTOR 0.5mm pitch  
 CONTACT TYPE 1=SMT type  
 TYPE NO. 54=Type 54  
 CONTACT NUMBER 19=19position



SECTION A-A  
SCALE 2/1



**WALTA** 華大電子股份有限公司  
 WALTA ELECTRONIC CO.,LTD.  
 TEL:886-2-26577778;FAX:886-2-26575659

|            |                 |            |                                   |            |            |  |                |                                |  |  |              |
|------------|-----------------|------------|-----------------------------------|------------|------------|--|----------------|--------------------------------|--|--|--------------|
| B          | E1501-003       | △ X 1      | 設變端子電鍍錫改為100~120u"                | Lonlon     | 2015/1/23  | UNLESS OTHERWISE SPECIFIED TOLERANCE<br>尺寸公差<br>X. ±0.50<br>.X ±0.30<br>.XX ±0.20<br>ANG. ±5°00' | CHECKED<br>審核  | DESIGNED<br>設計 XJQ<br>2012/8/1 | TITLE<br>產品名稱<br>HDMI CONNECTOR<br>UNIT<br>單位 MM<br>SCALE<br>比例 1/1<br>SIZE<br>尺寸 A4 | PART NO.<br>產品料號 D13-0715-19541<br>DOC. NO.<br>文件編號 CUT-0715-069 | REV.<br>版本 B |
| A          | E1208-001       | △ X 0      | 原D13-0715-19511新增電鍍金Gold Flash的規格 | XJQ        | 2012/8/21  |  | APPROVED<br>承認 | DRAWN<br>製圖 XJQ<br>2012/8/1    |  |  |              |
| REV.<br>版本 | ECN NO.<br>設變號碼 | MARK<br>記號 | REVISIONS<br>設變內容                 | SIGN<br>修改 | DATE<br>日期 |  |                |                                |  |  |              |

