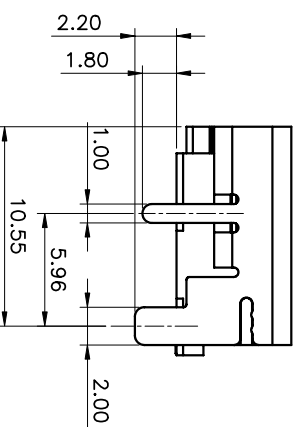
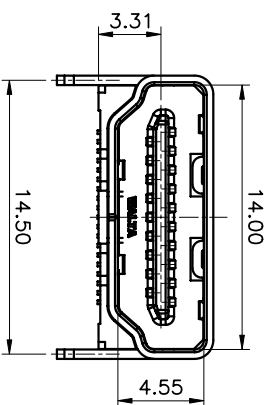
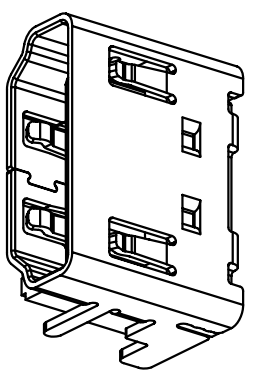
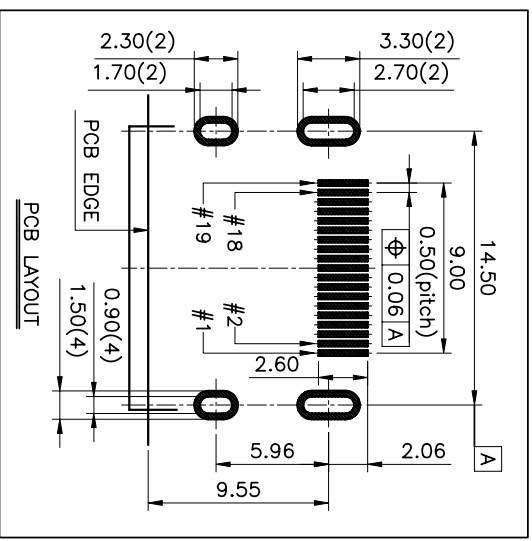
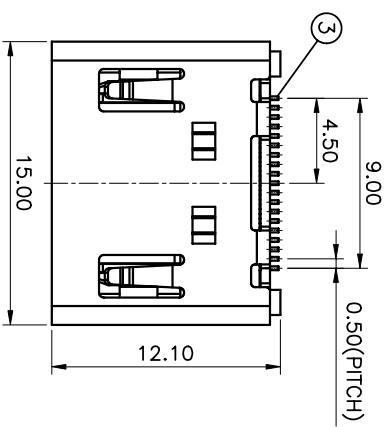


ITEM	PARTS NAME	MATERIAL	FINISH/REMARK
項目	零件名稱	材質	處理/備註
1	I/O CONNECTOR	HOUSING: SYNTHETIC RESIN CONTACT: COPPER ALLOY	Black Gold: 1.5u", Tin: 1.50u", Ni: 50u" Ni: 30u" Gold: 1u"
2	BOX	CORRUGATED (DOUBLE WALL)	10 REEL/BOX
3	WATERPROOF BAG	POLYSTYRENES	300 PCS/REEL
4	REEL	POLYSTYRENES	Wide=32mm
5	COVER TAPE	POLYSTYRENES	-
6	CARRIER TAPE	POLYSTYRENES	-
7	LABEL	-	批號標籤



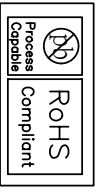
SPECIFICATION

MATERIAL
See drawing
STANDARD DATA
Rating current: 0.5A
Operating temperature: -10°C ~ +60°C
Storage temperature: -20°C ~ +85°C
ELECTRICAL
Insulator resistance: 100 Mohms Min. @ 500 VDC
Withstanding voltage: 500 VAC/minute
Contact resistance: 60 mohms Max.
MECHANICAL
Insertion force: 44.1N(4.5Kgf) Max.
Withdrawal force: 9.8~39.2N(1.0~4.0Kgf).
Durability: 10000 cycles Min.
Contact retention force: 2.1N(0.21kgf) Min.
PART NO. D13 - 0715 - 19 39 1

SERIES D13=I/O CONNECTOR
0.5mm pitch

MODEL NO. _____

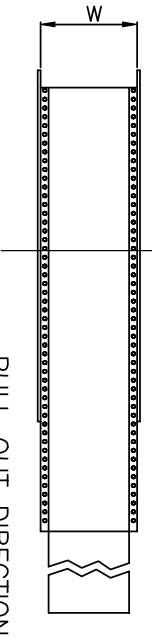
CONTACT TYPE
1=Other type
39=Type 39
CONTACT NUMBER
19=19position



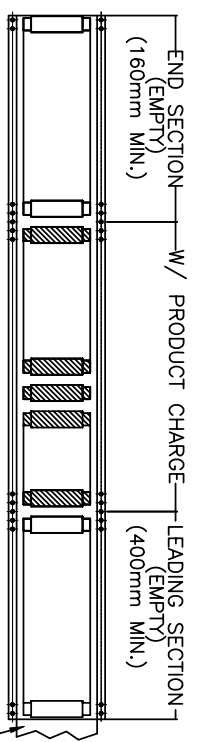
華大電子股份有限公司
WALTA ELECTRONIC CO., LTD.
TEL:886-2-2657778; FAX:886-2-2657689

REV. 版本	ECN NO. 設備號碼	MARK 記號	REVISIONS 設備內容	DATE 日期	SIGN 修改
A	E1006-015	X 0	-	2010/06/15	LYH
B	E1111-028	X 1	修正接觸電阻值及絕緣電阻值	2011/12/12	Zhaohua

UNLESS OTHERWISE SPECIFIED TOLERANCE	CHECKED 審核	DESIGNED 設計	TITLE 產品名稱
尺寸公差 X. ±0.50 .X ±0.30 .XX ±0.20 ANG. ±5'00"	APPROVED 承認	DRAWN 製圖 LYH 2010/06/15	HDMI I/O CONNECTOR
		SCALE 比例 1/1 SIZE A4 DOC. NO. 產品料號 CUT-0715-047(1/2)	REV. 版本 B

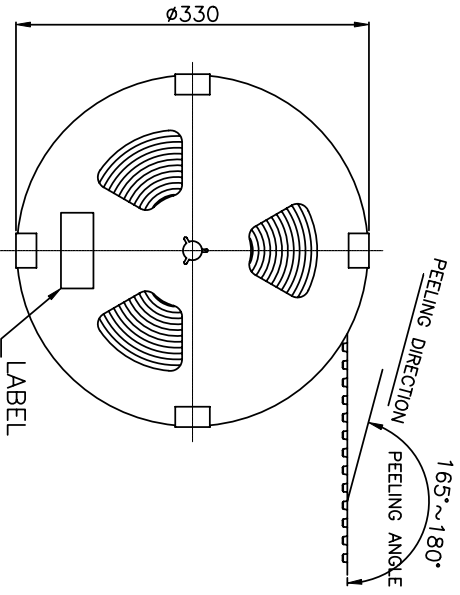


PULL OUT DIRECTION



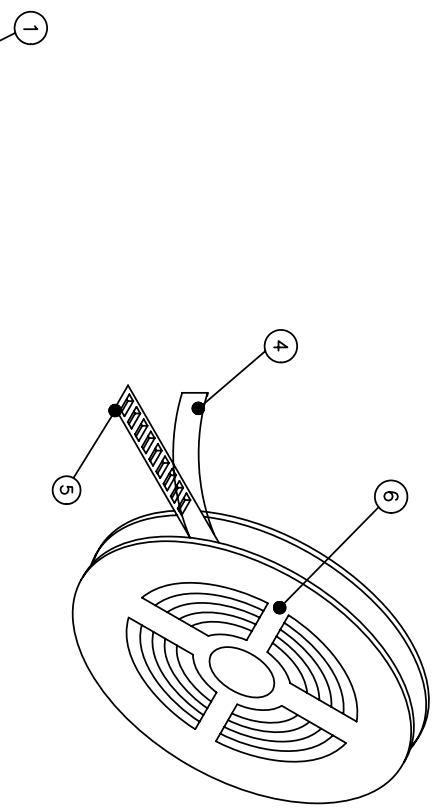
ITEM	PARTS NAME	FINISH/REMARK
項目	零件名稱	處理/備註
1	I/O CONNECTOR	3000 PCS/BOX
2	BOX	10 REEL/BOX
3	WATERPROOF BAG	1 PCS
4	REEL	300 PCS/REEL
5	COVER TAPE	Wide=32mm
6	CARRIER TAPE	--
7	LABEL	批號標籤

TOP COVER TAPE



PEELING DIRECTION

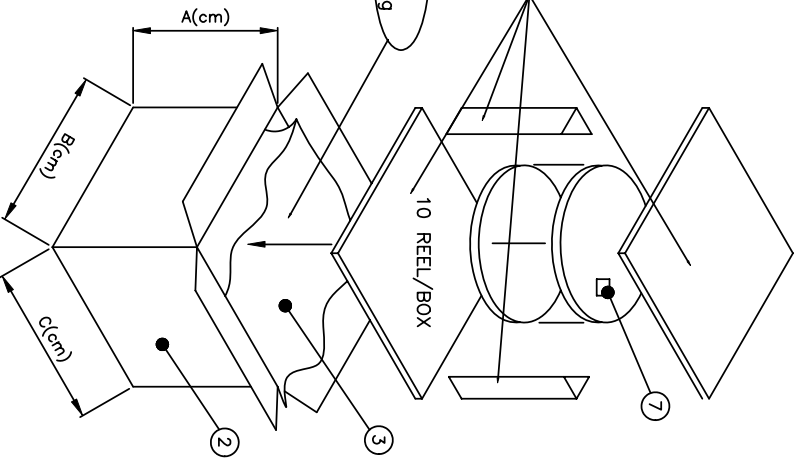
PEELING ANGLE



隔板

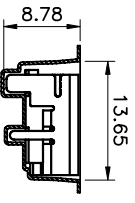
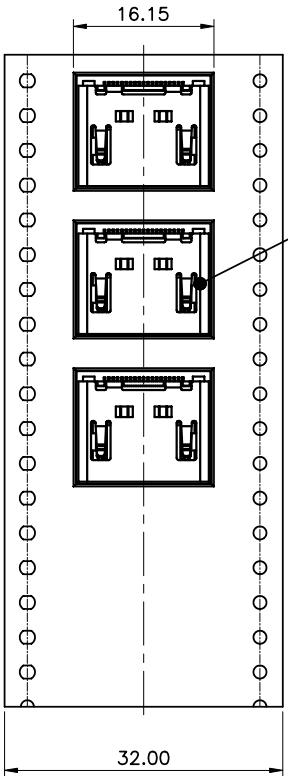
乾燥劑
Dry Bog

10 REEL/BOX

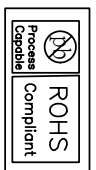


客戶放料方向
INPUT MATERIA
DIRECTION

收料方向
CATHER MATERIAL
DIRECTION



NOTES
1. MATERIAL: PS (Color: 透明)
2. DEFORMATION(變形)&DAMAGE(損壞): NA.(不可)
3. All dimensions meet EIA-481-C requirements.



REV.	ECN NO.	MARK	REVISIONS	SIGN	DATE	UNLESS OTHERWISE SPECIFIED TOLERANCE	CHECKED	DESIGNED	UNIT	SCALE	PART NO.	DOC. NO.	CUT	REV.
版本	設備號碼	記號	設備內容	修改	日期	尺寸公差	審核	設計	單位	比例	產品料號	文件編號		版本
A	E1006-015	X 0	-	LYH	2010/06/15	X. ±0.40 XX ±0.25 ANG. ±2'00"	APPROVED	DRAWN	MM	1/1	D13-0715-19391			B
B	E1111-028	X 1	修正接觸電阻值及絕緣電阻值	LYH	2011/12/12			LYH			HDMI CONNECTOR			