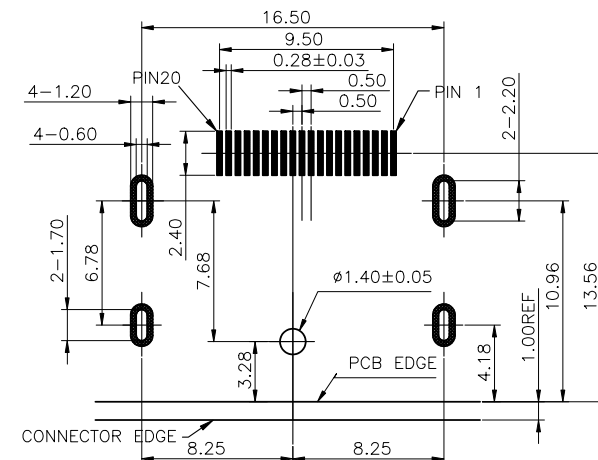
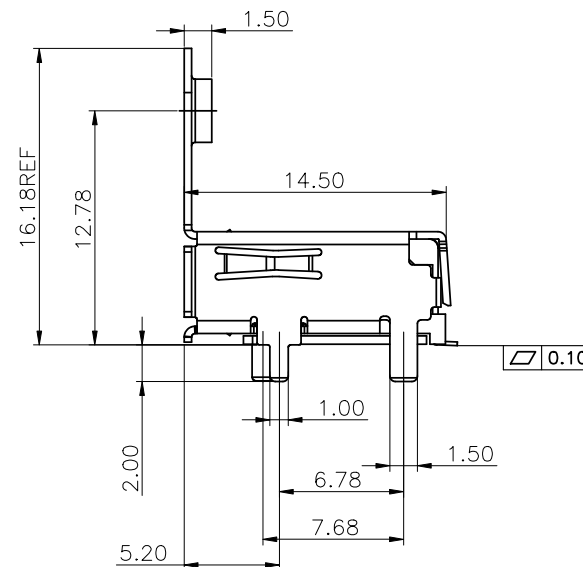


ITEM 項目	PARTS NAME 零件名稱	Q'TY 數量	MATERIAL 材質	FINISH/REMARK 處理/備註
1	HOUSING	1	LCP	Black(UL 94V-0)
2	COVER	1	LCP	Black(UL 94V-0)
3	CONTACT	20	C2680	Gold Flash on contact area, Tin:100u" on solder area under 50u" Nickle
4	SHELL	1	C2680	Ni:50u"Min



RECOMMENDED P.C.B LAYOUT(PCB THICKNESS: 1.6mm)
COMPONENT SIDE VIEW(TOLERANCE: ±0.05)

NOTE:

1.MECHANICAL CHARACTERISTICS

- 1.1 RATING CURRENT: 0.5A
- 1.2 RATING VOLTAGE: 40V
- 1.3 CONTACT RESISTANCE: 30 mΩ MAX
- 1.4 INSULATION RESISTANCE:

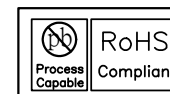
- a, UNMATED: 100MΩ MIN AT 500 VDC
- b, MATED: 10M OHMS MIN AT 150 VDC
- 1.5 DIELECTRIC WITHSTANDING VOLTAGE: 500V AC/1MINUTE
- 1.6 DURABILITY: 10000 CYCLES.
- 1.7 OPERATING TEMPERATURE: -40°C--+85°C
- 1.8 STORAGE TEMPERATURE: -40°C--+85°C

2. NOTES:

- 2.1 ALL COMPONENTS ARE RoHS COMPLIANT.
- 2.2 RESISTANCE TO SOLDERING HEAT: 265°C FOR 10 SECONDS.

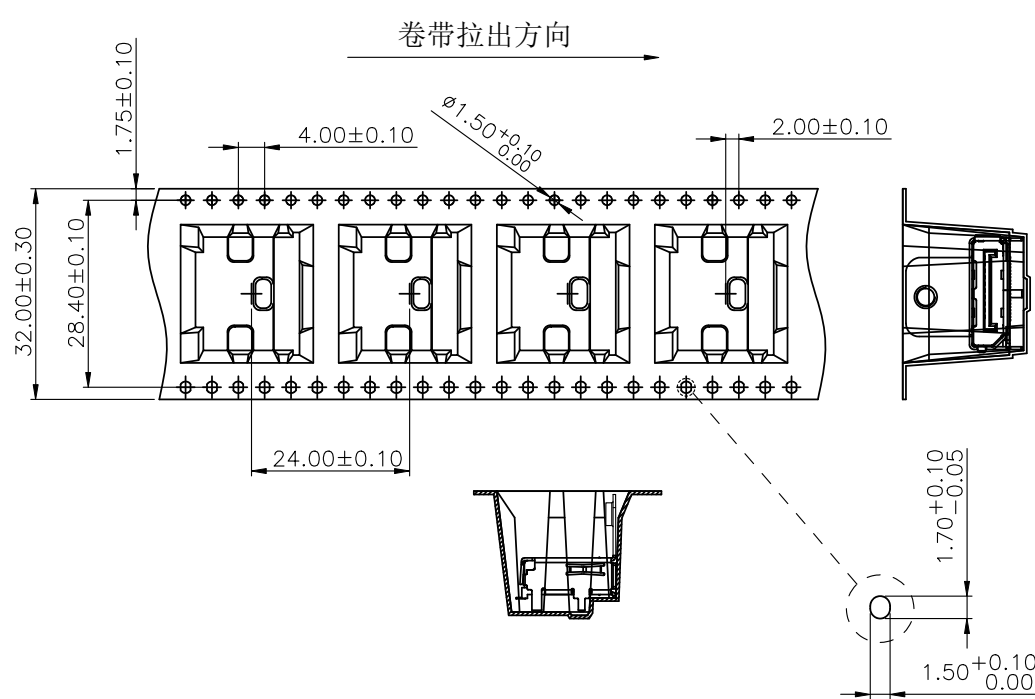
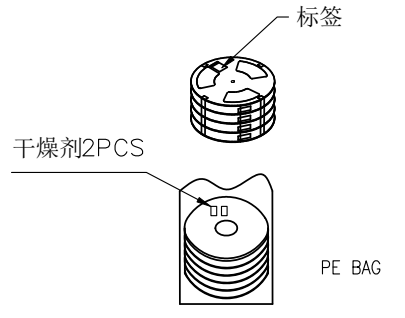
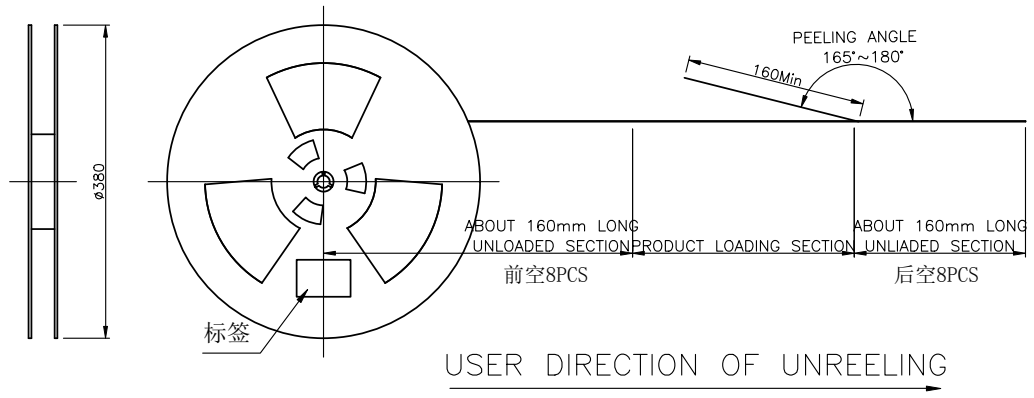
3.PART NO.

SERIES D 05 - C 124 - 020 01 TYPE NO.
 D=I/O Connector 01=Type 1
 CONN TYPE NO. CONTACT NUMBER
 05=type 5 020=20 position
 FORM OF FACTORY FACTORY CODE
 C=Connector of factory

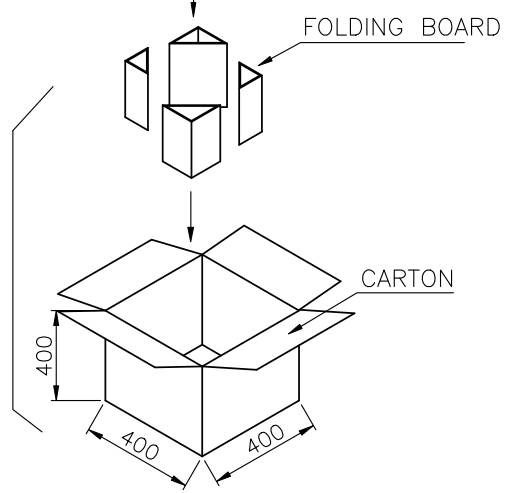


WALTA 華大電子股份有限公司
 WALTA ELECTRONIC CO.,LTD.
 TEL:886-2-26577778;FAX:886-2-26575659

						UNLESS OTHERWISE SPECIFIED TOLERANCE 尺寸公差		CHECKED 審核	DESIGNED 設計	TITLE 產品名稱		
						X. ±0.50			zhijun	DISPLAYPORT 母头SMT带螺丝孔		
						.X ±0.30			2022/8/15	1/2		
						.XX ±0.20		APPROVED 承認	DRAWN 製圖	SCALE 比例	PART NO. 產品料號	
						ANG. ±5°0'			zhijun	1/1	D05-C124-02001	
REV. 版本	ECN NO. 設變號碼	MARK 記號	REVISIONS 設變內容			SIGN 修改	DATE 日期		2022/8/15	SIZE 尺寸	DOC. NO. 文件編號	REV. 版本
1		X 0	資料更新。			zhijun	2022/8/15		A4	CUT-C124-008	A	



DETIAL A 2:1



200	10	2000 PCS	--KG	--KG
PCS/ REEL	REELS/ CARTON	QUANTITY	GROSS WEIGHT	NET WEIGHT



WALTA 華大電子股份有限公司
 WALTA ELECTRONIC CO.,LTD.
 TEL:886-2-26577778;FAX:886-2-26575659

REV. 版本	ECN NO. 設變號碼	MARK 記號	REVISIONS 設變內容	SIGN 修改	DATE 日期
A	E2408-002	X 0	資料更新。	zhijun	2022/8/15

UNLESS OTHERWISE SPECIFIED TOLERANCE 尺寸公差	CHECKED 審核
X. ±0.50	DESIGNED 設計
.X ±0.30	2022/8/15
.XX ±0.20	DRAWN 製圖
ANG. ±5°00'	zhijun
	2022/8/15

APPROVED 承認	DESIGNED 設計
	zhijun
	2022/8/15
	DRAWN 製圖
	zhijun
	2022/8/15

TITLE 產品名稱	DISPLAYPORT 母头SMT帶螺絲孔	REV. 版本	2/2
UNIT 單位	MM	PART NO. 產品料號	D05-C124-02001
SCALE 比例	1/1	DOC. NO. 文件編號	CUT-C124-008
SIZE 尺寸	A4		A