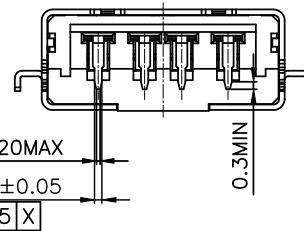
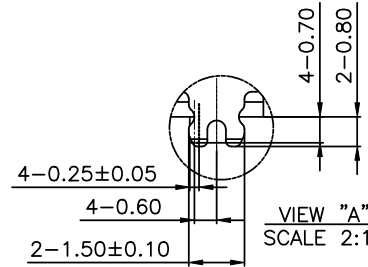
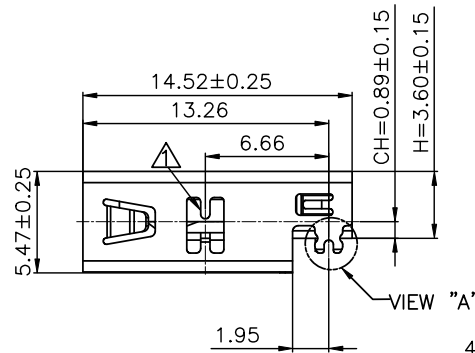
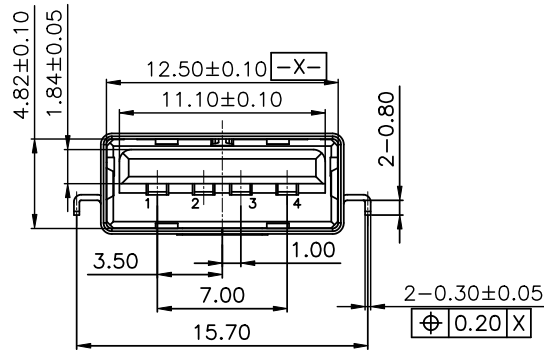
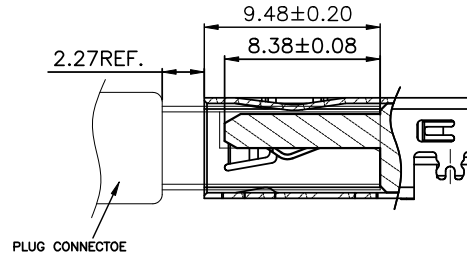
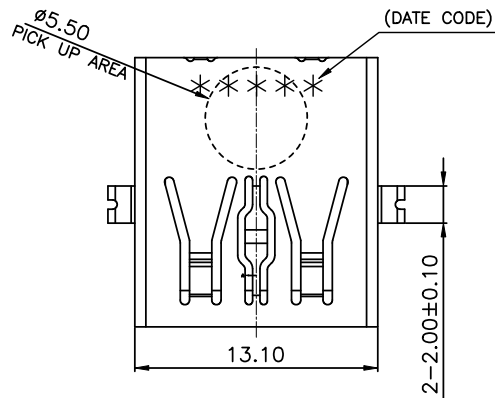
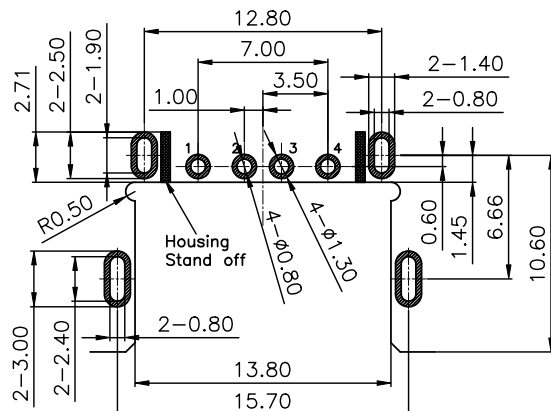
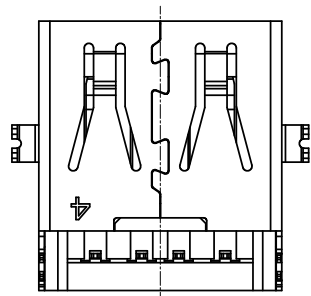


ITEM 項目	PARTS NAME 零件名稱	Q'TY 數量	MATERIAL 材質	FINISH/REMARK 處理/備註
1	HOUSING	1	SYNTHETIC RESIN	(BLACK)(LCP UL94V-0)
2	SHELL	1	STAINLESS	Ni:50u"
3	CONTACT	4	COPPER ALLOY	Gold flash on Contact area, Solder tail: Tin:100u", Ni:50u"



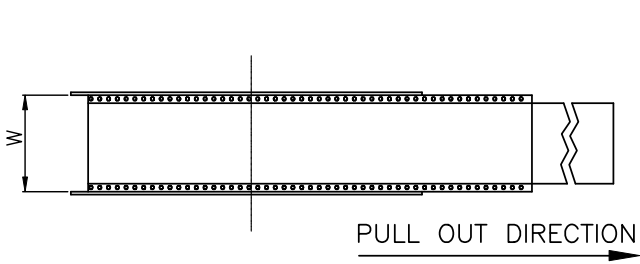
SPECIFICATION
MATERIAL
 See drawing
STANDARD DATA
 Rating current:1.5A
ELECTRICAL
 Insulator resistance: 100M ohms Min. @ 500 VDC
 Withstanding voltage: 100 VAC / minute
 Contact resistance:
 30 mΩ (Max) initial for VBUS and GND contacts.
 50 mΩ (Max) initial for all other contacts.
MECHANICAL
 Mating force:25N(2.55kgf) Max.
 Unmating force:initial 10N~25N(1.02~2.55kgf)
 After 8N~25N(0.82~2.55kgf)
 Durability: 5000 cycles
 PART NO.

SERIES D 0 2 - 0857 - 04 00X
 MODEL NO. TYPE NO. 00X=Type 00X
 CONTACT NUMBER 04=4 position
 CONTACT TYPE 2=Through hole type

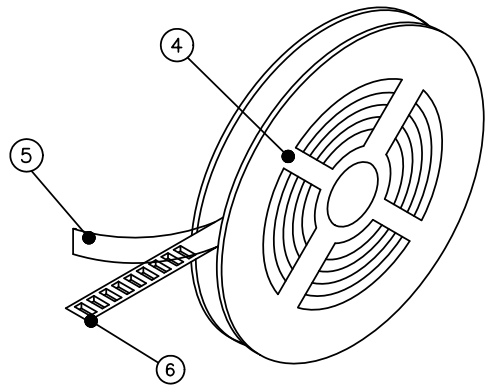
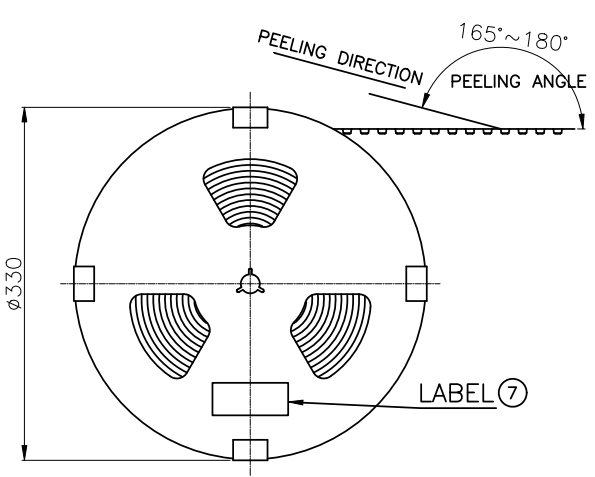


WALTA 華大電子股份有限公司
 WALTA ELECTRONIC CO.,LTD.
 TEL:886-2-26577778;FAX:886-2-26575659

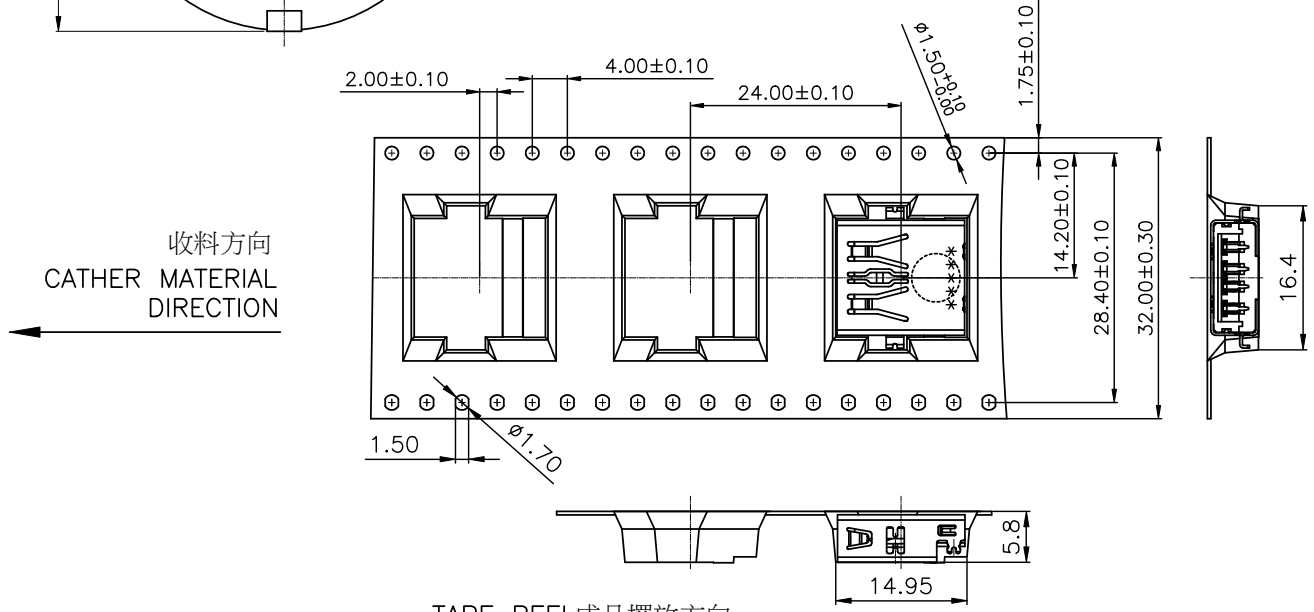
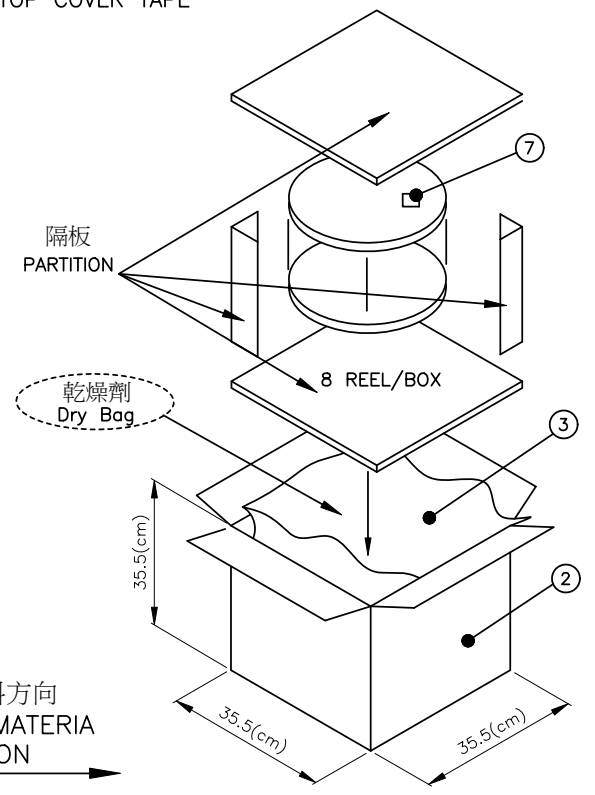
REV. 版本	ECN NO. 設變號碼	MARK 記號	REVISIONS 設變內容	SIGN 修改	DATE 日期	UNLESS OTHERWISE SPECIFIED TOLERANCE 尺寸公差	CHECKED 審核	DESIGNED 設計	UNIT 單位	TITLE 產品名稱
A	E2203-003	X 1	設變鐵殼前DIP腳破孔凸臺加長	Lonlon	2022/3/9	X. ±0.50 .X ±0.25 .XX ±0.15 .XXX ±0.10 ANG. ±2'00'	APPROVED 承認	Lonlon 2022/3/9	MM	USB2.0 A TYPE DIP STD CH=0.89mm
								Lonlon 2022/3/9	1/1	PART NO. 產品料號 D02-0857-0400X
									A4	DOC. NO. 文件編號 CUT-0857-004



ITEM 項目	PARTS NAME 零件名稱	FINISH/REMARK 處理/備註
1	I/O CONNECTOR	3200PCS/BOX(REFERENCE)
2	BOX	8 REEL/BOX
3	WATERPROOF BAG	1 PCS
4	REEL	--
5	COVER TAPE	(COLOR:TRANSPARENT)
6	CARRIER TAPE	400PCS/REEL(REFERENCE)
7	LABEL	批號標籤



TOP COVER TAPE



- NOTES
- 1.MATERIAL: PET (Color: 透明)
 - 2.DEFORMATION(變形)&DAMAGE(損壞): NA.(不可)
 - 3.All dimensions meet EIA-481-C requirements.

RoHS
Compliant

WALTA 華大電子股份有限公司
WALTA ELECTRONIC CO.,LTD.
TEL:886-2-26577778;FAX:886-2-26575659

A		E2203-003	X 0	設變鐵殼前DIP腳破孔凸臺加長	Lonlon	2022/3/9	UNLESS OTHERWISE SPECIFIED TOLERANCE 尺寸公差 X. ±0.50 .X ±0.30 .XX ±0.20 ANG. ±5'00"	CHECKED 審核	DESIGNED 設計 Lonlon 2022/3/9	UNIT 單位 MM	TITLE 產品名稱 USB2.0 A TYPE DIP STD CH=0.89mm	2/2
REV. 版本	ECN NO. 設變號碼	MARK 記號	REVISIONS 設變內容	SIGN 修改	DATE 日期			APPROVED 承認	DRAWN 製圖 Lonlon 2022/3/9	SCALE 比例 1/1	PART NO. 產品料號 D02-0857-0400X	REV. 版本 A
1	2	3	4	5	6	7	8	9	10			