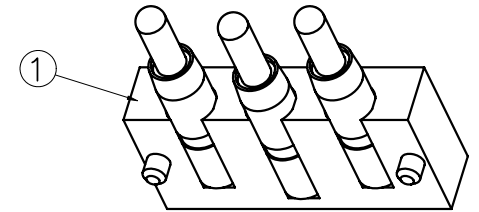
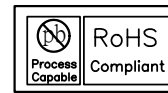


| ITEM 項目 | PARTS NAME 零件名稱 | MATERIAL 材質 | FINISH/REMARK 處理/備註 |
|------------|--------------------|------------------------------|--|
| 1 | I/O CONNECTOR | HOUSING:SYNTHETIC RESIN (無鹵) | Black |
| | | CONTACT1:COPPER ALLOY | Ni: 30u"; Gold: 5u" |
| | | CONTACT2:COPPER ALLOY | Ni: 30u"; Gold: 5u" |
| | | SPRING:STAINLESS | - |
| 2 | COVER TAPE | POLYSTYRENES | (COLOR:TRANSPARENT) |
| 3 | REEL | POLYSTYRENES | (COLOR:TRANSPARENT) |
| 4 | CARRIER TAPE | POLYSTYRENES | 1600 PCS/CARRIER |
| 5 | WATERPROOF BAG | POLYETHYLENE | - |
| 6 | LABEL | - | - |
| 7 | BOX | CORRUGATED (DOUBLE WALL) | 10 PCS CARRIER/BOX 16000PCS CONNECTOR/BOX |

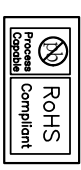
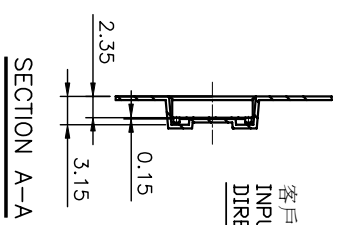
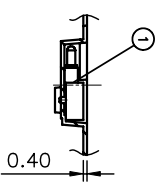
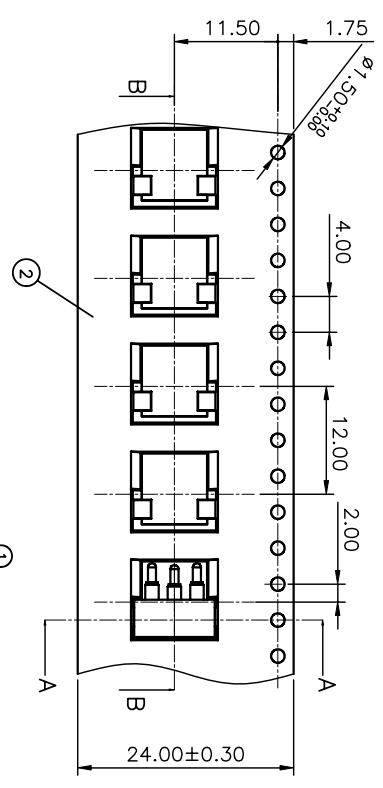
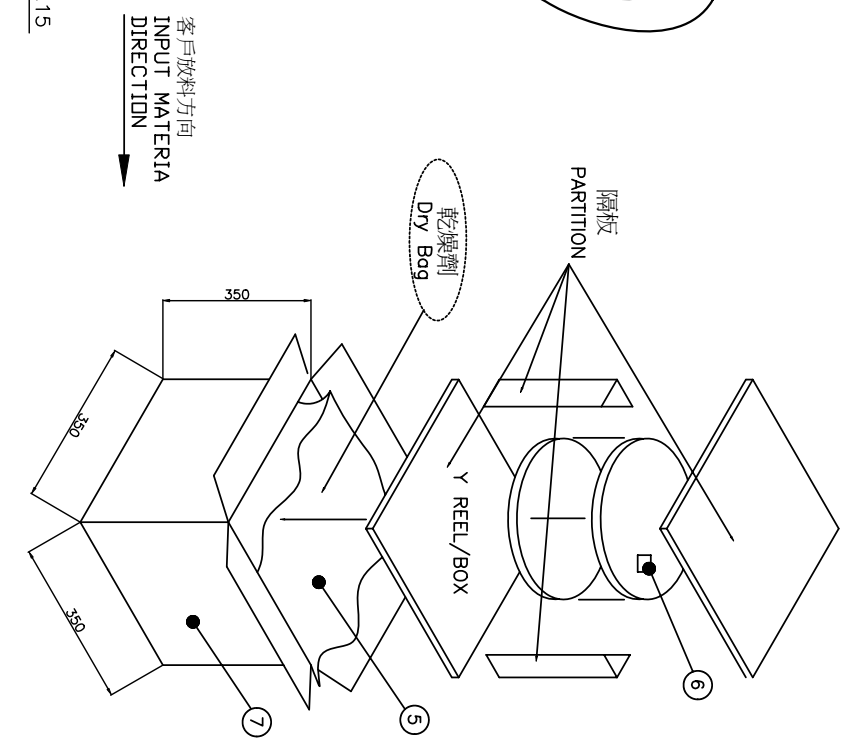
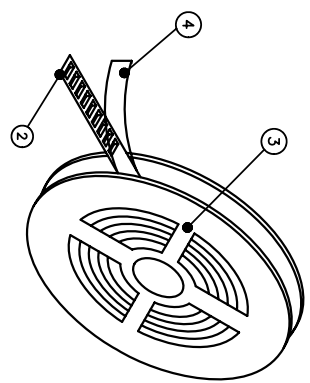
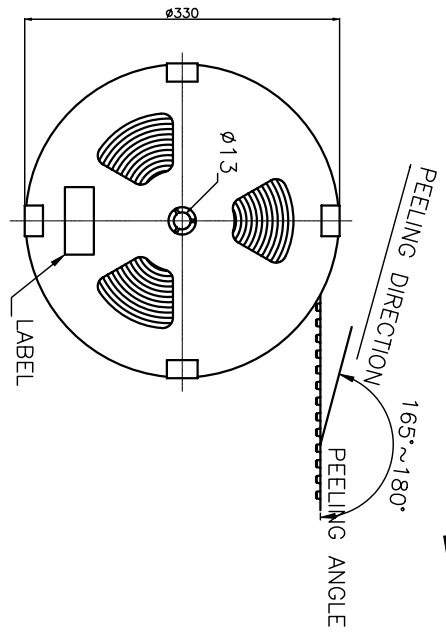
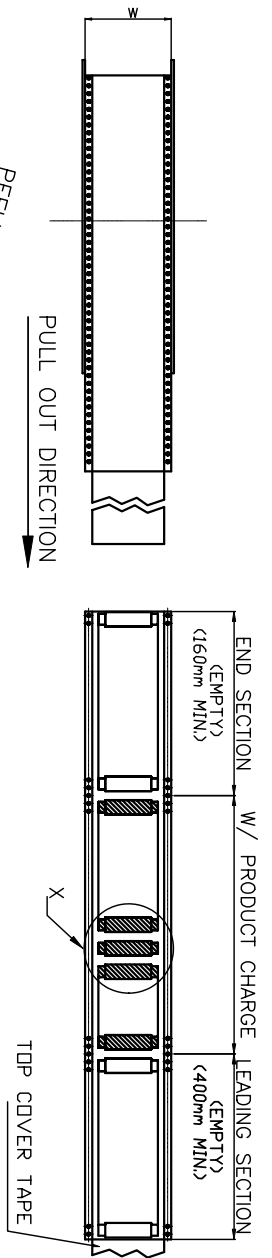


SPECIFICATION
 1.MATERIAL
 See drawing
 2.STANDARD DATA
 Rating current:1.0A
 3.ELECTRICAL
 Insulator resistance: 100M ohms Min. @ 500 VDC
 Withstanding voltage: 500 VAC / minute
 Contact resistance: 50 m ohms Max.
 4.MECHANICAL
 Spring force:See drawing
 Durability: 10000 cycles Min.
 PART NO.
 SERIES B 7 3 - 0768 - 03 001
 PRODUCT TYPE MODEL NO. TYPE NO.
 001=Type 01
 POGOPIN NUMBER
 03=3 position
 CONTACT TYPE 3=SMT type



WALTA 華大電子股份有限公司
 WALTA ELECTRONIC CO.,LTD.
 TEL:886-2-26577778;FAX:886-2-26575659

| REV. 版本 | ECN NO. 設變號碼 | MARK 記號 | REVISIONS 設變內容 | SIGN 修改 | DATE 日期 | UNLESS OTHERWISE SPECIFIED TOLERANCE 尺寸公差 | CHECKED 審核 | DESIGNED 設計 | UNIT 單位 | TITLE 產品名稱 | PART NO. 產品料號 | REV. 版本 |
|---------|--------------|---------|------------------|---------|------------|---|-------------|-------------|----------|--------------------|--------------------|---------|
| C | E1304-005 | △ X 0 | 修改套筒的鉚合方式 | Lonlon | 2013/4/10 | X. ±0.50 | Lonlon | 03/18/10' | MM | POGO PIN CONNECTOR | B73-0768-03001 | C |
| B | E1010-003 | △ X 1 | 設變將中間1PIN加高0.1MM | Lonlon | 2010/10/11 | .X ±0.30 | | | | | | |
| A | N2010-004 | △ X 0 | 新開 | Lonlon | 03/18/10' | .XX ±0.20 | APPROVED 承認 | DRAWN 製圖 | SCALE 比例 | DOC. NO. 文件編號 | CUT-0768-001 (1/2) | |
| | 1 | 2 | 3 | 4 | 5 | ANG. ±5°0' | | 03/18/10' | 1/1 | | | |



WALTA
 華大電子股份有限公司
 WALTA ELECTRONIC CO.,LTD.
 TEL:886-2-2657778;FAX:886-2-26575639

| | | | | | | | |
|--------------------------------------|--|----------|--|-----------------|--|-----------------------------|--|
| UNLESS OTHERWISE SPECIFIED TOLERANCE | | CHECKED | | DESIGNED | | TITLE | |
| INCH | | 公差 | | 設計 | | 產品名稱 | |
| X. ±0.50 | | 審核 | | London | | POGO PIN CONNECTOR | |
| .X ±0.30 | | APPROVED | | 03/18/10' | | PART NO. B73-0768-03001 | |
| .XX ±0.20 | | 承認 | | DRAWN | | 產品料號 | |
| ANG. ±5'00" | | | | London | | DOC. NO. CUT-0768-001 (2/2) | |
| | | | | 03/18/10' | | REV. 版本 C | |
| REV. 設備號碼 | | MARK 記號 | | REVISIONS 設備內容 | | SIGN 修改 | |
| A N2010-004 | | △ X 0 | | 新開 | | DATE 日期 | |
| B E1010-003 | | △ X 1 | | 修改套筒的鉚合方式 | | DATE 日期 | |
| C E1304-005 | | △ X 0 | | 設變將中間PIN加高0.1MM | | DATE 日期 | |
| D | | | | | | | |
| E | | | | | | | |
| F | | | | | | | |
| G | | | | | | | |
| H | | | | | | | |
| I | | | | | | | |
| J | | | | | | | |
| 1 | | | | | | | |
| 2 | | | | | | | |
| 3 | | | | | | | |
| 4 | | | | | | | |
| 5 | | | | | | | |
| 6 | | | | | | | |
| 7 | | | | | | | |
| 8 | | | | | | | |
| 9 | | | | | | | |
| 10 | | | | | | | |