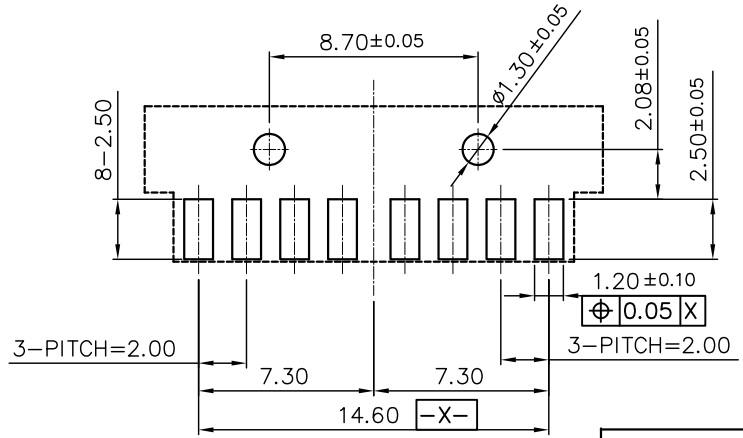
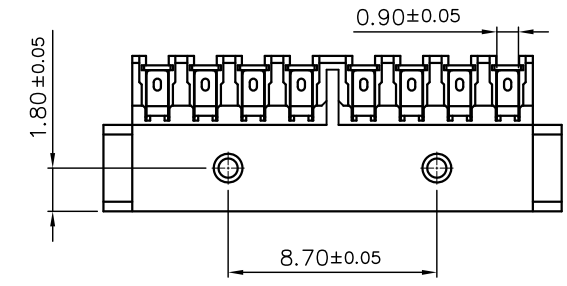
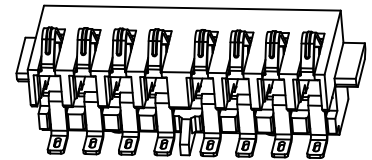
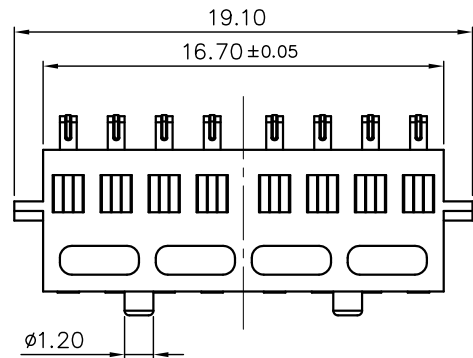
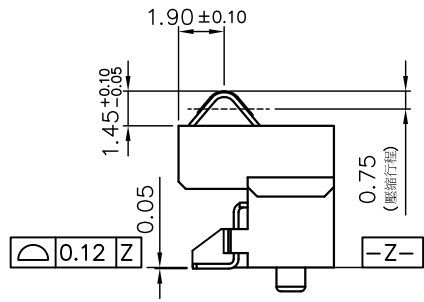
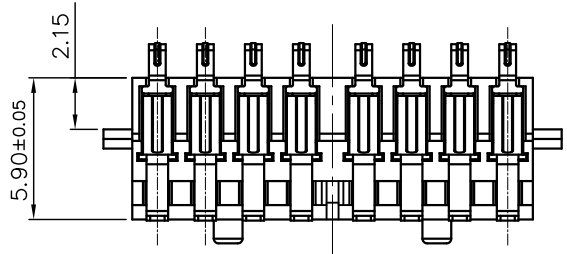
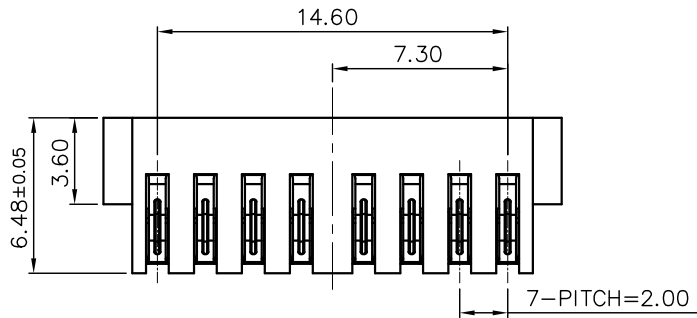


1 2 3 4 5 6 7 8 9 10

J I H G F E D C B A



ITEM 項目	PARTS NAME 零件名稱	Q'TY 數量	MATERIAL 材質	FINISH/REMARK 處理/備註
1	I/O CONNECTOR	1	HOUSING: L.C.P CONTACT: Phosphor Bronze	(Black) 20u" Gold plating on contact area 50u" Nickel underplating
2	COVER TAPE	1	POLYSTYRENES	(COLOR: TRANSPARENT)
3	REEL	1	POLYSTYRENES	(COLOR: TRANSPARENT)
4	CARRIER TAPE	1	POLYSTYRENES	460PCS/CARRIER
5	WATERPROOF BAG	1	POLYETHYLENE	-
6	LABEL	-	-	-
7	BOX	1	CORRUGATED (DOUBLE WALL)	10 PCS CARRIER/BOX

SPECIFICATION
MATERIAL
 See drawing
STANDARD DATA
 Rating current: 0.5A
 Operating temperature: -30°C ~ +70°C
 Storage temperature: -40°C ~ +85°C
ELECTRICAL
 Insulator resistance: 1000M ohms Min. @ 250 VDC
 Withstanding voltage: 100 VAC / minute
 Contact resistance: 50 m ohms Max.
MECHANICAL
 Durability: 8000 cycles Min.
 Contact force at 0.75mm Deflection: 90grams Min.
PART NO.

B 0 0 - 0763 - 08 001
 SERIES B= Twin charger
 PRODUCT TYPE 0=2.0mm pitch
 CONTACT TYPE 0=OEM&ODM type
 MODEL NO. TYPE NO. 001=Type 01
 POGOPIN NUMBER 08=08 position

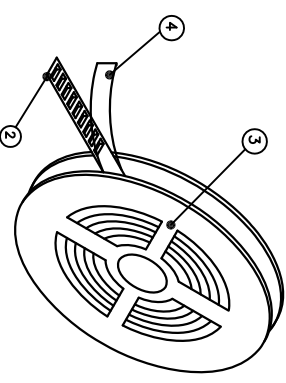
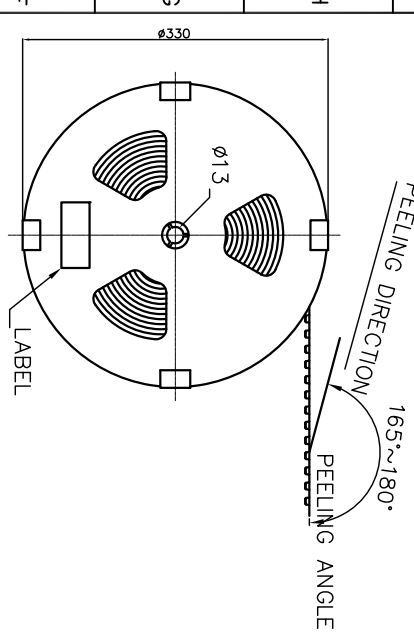
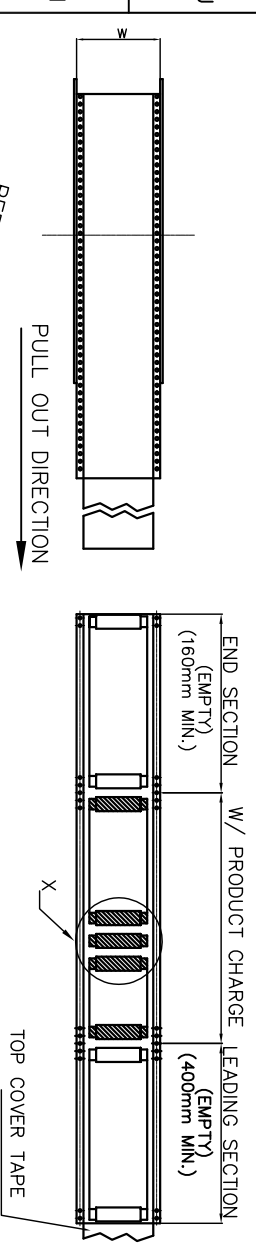
RECOMMENDED PCB LAYOUT FOR MOUNTING
 TOLERANCE: ±0.05



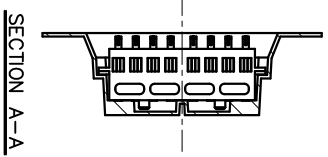
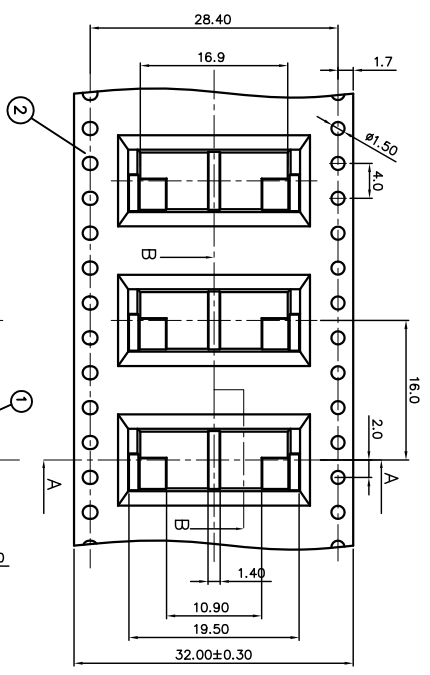
華大電子股份有限公司
 WALTA ELECTRONIC CO.,LTD.
 TEL: 886-2-27565688; FAX: 886-2-27673342

A	N2009-010	△ X 0	新開	JIMMY	2009/11/23	UNLESS OTHERWISE SPECIFIED TOLERANCE 尺寸公差 X. ±0.50 .X ±0.30 .XX ±0.20 ANG. ±5'00"	CHECKED 審核	DESIGNED 設計 JIMMY 2009/11/23	TITLE 產品名稱 Battery Pitch=2.0mm, 8 position.
	REV. 版本	ECN NO. 設變號碼	MARK 記號	SIGN 修改	DATE 日期	ANG. ±5'00"	APPROVED 承認	DRAWN 製圖 JIMMY 2009/11/23	PART NO. 產品料號 DOC. NO. 文件編號
			REVISIONS 設變內容						UNIT 單位 MM
									SCALE 比例 1/1
									SIZE 尺寸 A4
									REV. 版本 A

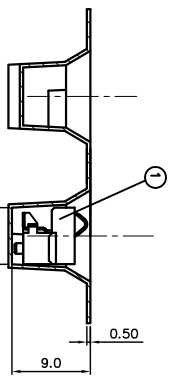
1 2 3 4 5 6 7 8 9 10



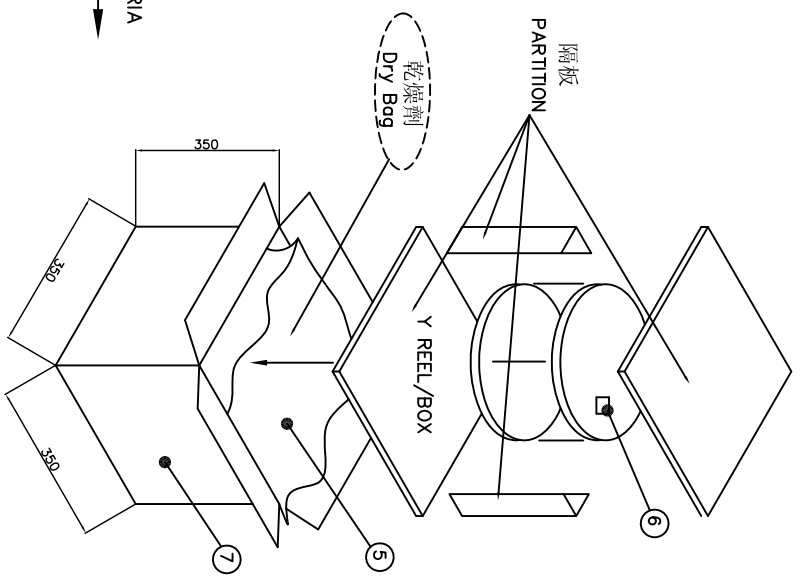
收料方向
CATHETER MATERIAL
DIRECTION



客戶放料方向
INPUT MATERIA
DIRECTION



SECTION B-B



WALTA
華大電子股份有限公司
WALTA ELECTRONIC CO.,LTD.
TEL: 886-2-2765688; FAX: 886-2-27673342

REV. 版本	ECON NO. 設計號碼	MARK 記號	REVISIONS 設計內容	SIGN 修改	DATE 日期	UNLESS OTHERWISE SPECIFIED TOLERANCE 尺寸公差	CHECKED 審核	DESIGNED 設計	UNIT 單位	TITLE 產品名稱	PART NO. 產品料號	DOC. NO. 文件編號	REV. 版本
A	N2009-010	△ X 0	新開	JIMMY	2009/11/23	X. ±0.50 XX ±0.30 ANG. ±5'00"	JIMMY	2009/11/23	MM	Battery Pitch=2.0mm, 8 position.	B00-0763-08001	CUT-0763-001 (2/2)	A
1	2	3	4	5	6	7	8	9	10				