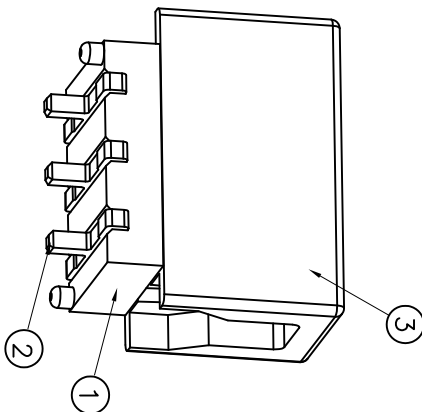
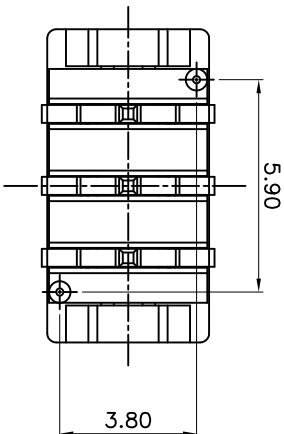
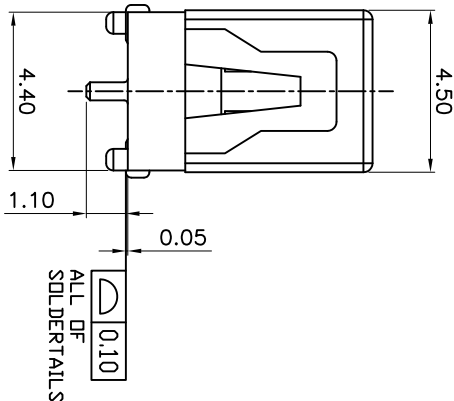
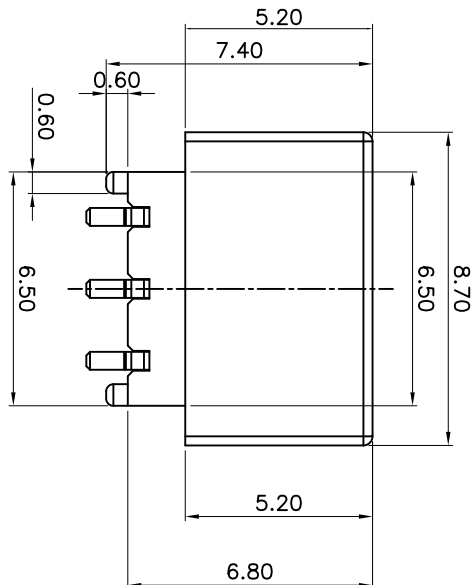
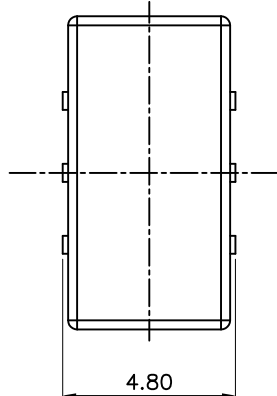


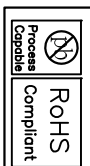
ITEM 項目	PARTS NAME 零件名稱	Q'TY 數量	MATERIAL 材質	FINISH/REMARK 處理/備註
1	HOUSING	1	LCP	UL-94V-0 (Black)
2	CONTACT	3	Phosphor Bronze	30u" Gold on contact area, Gold flash on solder tails,
3	BOTTOM COVER	1	PA9T	



NOTES

- 1.MATERIAL: See drawing
- 2.ELECTRICAL
 - 2.1. Insulator resistance: 1000M ohms Min. @ 500 VDC
 - 2.2. Withstanding voltage: 1K VAC / minute
 - 2.3. Contact resistance: 15m ohms Max.(Final) 25m ohms Max.(Final)
- 3.MECHANICAL
 - 3.1. Mating force: 5N(0.5kgf) Max.
 - 3.2. Umating force: 0.1N(0.01kgf) Min.
 - 3.3. Durability: 10000 cycles Min.
 - 3.4. Contact retention force: 11.76N(1.2kgf) Min
4. PACKING: 500pcs/Reels (reference)
5. PART NO.

SERIES B 0 0 - 0735 - 03 001
 B=Twin cgarger MODEL NO. TYPE NO. 001=Type 001
 TYPE CONTACT NUMBER 03=03position
 0=other type
 CONTACT TYPE
 3=OEM&ODM TYPE



WALTA
 華大電子股份有限公司
 WALTA ELECTRONIC CO.,LTD.
 TEL:886-2-2756588;FAX:886-2-27573342

UNLESS OTHERWISE SPECIFIED TOLERANCE

X. ±0.40
 .XX ±0.20
 .XXX ±0.10
 ANG. ±2°00'

DESIGNED JIMMY
2008/04/29

TITLE 華大電子股份有限公司
 BATTERY BLOCK CONNECTOR
 PLUG ASSY 3POS
 2MM PITCH (DIP 1.1mm)

CHECKED

DRAWN JIMMY
2008/04/29

PART NO. B00-0735-03001
 DOC. NO. CUT-0735-003 2/2

REV. A

REV. 版本	EGN NO. 設計號碼	MARK 記號	REVISIONS 設計內容	SIGN 修改	DATE 日期
A	E0904-009	X 0	新開發	JIMMY	2008/04/29

1 2 3 4 5 6 7 8 9 10

